



# V2020

## Nautilus Series

Vessel Vanity Sink

### Features

- Square Vessel Design
- Vitreous China
- No Faucet Holes
- Requires Wall or Counter-Mount Faucet
- Limited Lifetime Warranty
- Available in White (V2020-WT)
  - Matte White (V2020-WT-M)
  - Matte Black (V2020-BK-M)
  - Matte Grey (V2020-GR-M)
  - Matte Brown (V2020-BN-M)
  - Matte Green (V2020-GN-M)



### Compatible Accessories

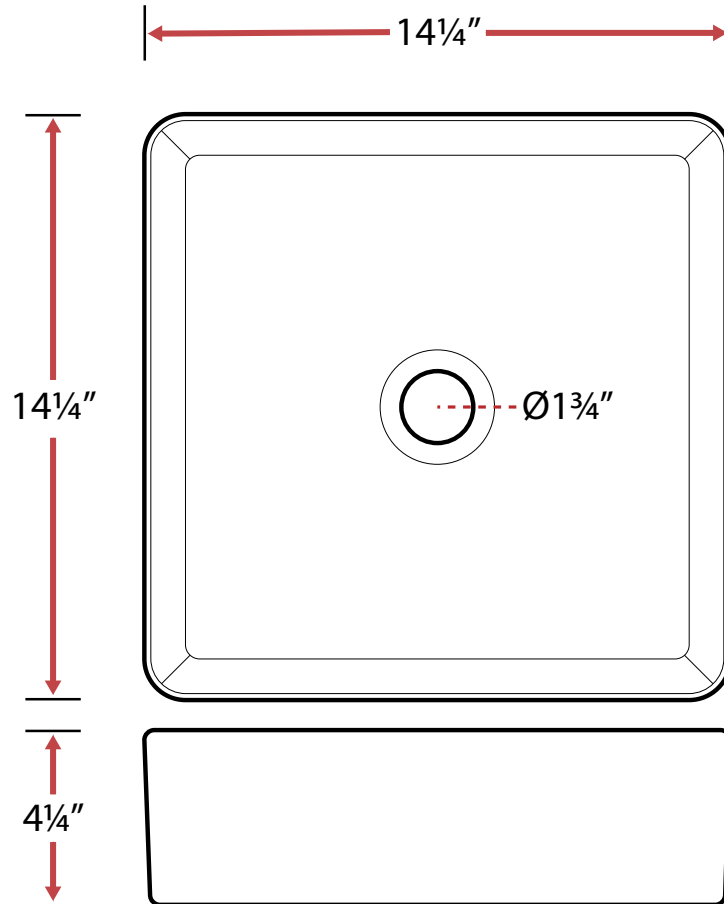
Installation & Care Instructions

### Codes/Standards

ASME A112.19.3/CSA B45.4

# Ticor®

**V2020**  
**Nautilus Series**  
Vessel Vanity Sink



## Technical Information

- Sink Collection: **Nautilus Series**
- Sink Model Number: **V2020**
- Sink Length (inches):  **$14\frac{1}{4}$**
- Sink Width (inches):  **$14\frac{1}{4}$**
- Sink Basin Depth (inches):  **$4\frac{1}{4}$**
- Drain Opening (inches):  **$1\frac{3}{4}$**
- Drain Position: **Center**
- Bowl Configuration: **Single**
- Installation Type: **Vessel**

1-(503) 455-8336

Sink specifications may change without notice. Please visit [www.ticorsinks.com](http://www.ticorsinks.com) for the most current information. Updated 06/29/2018