



# TR4070

## Bradford Series

Overmount Kitchen Sink

### Features

- 16 Gauge 304 Stainless Steel Construction
- Satin Brushed Finish
- Graduated Basin Ledge Allows You to Place Accessories Inside with Customizable Arrangement
- Non-Porous Corrosion-Resistant Surface
- Equipped with SoundShield™ Noise Deadening Pads (85% Bottom Basin Coverage)
- Protected with a Non-Toxic Anti-Condensation Coating
- Limited Lifetime Warranty



### Compatible Accessories

TG112 Stainless Steel Custom Fit Basin Racks  
DT16 Drying Tray  
CB9 Cutting Board  
RSR1812 Stainless Steel Rolling Rack  
SC1 Deluxe Sink Caddy  
TBASK Stainless Steel Basket Strainer  
MF1 FuFu Microfiber Sink Loofah  
MIB-O Mounting and Installation Brackets  
T4070 Sink Cut-Out Template  
Installation Instructions

### Codes/Standards

ASME A112.19.3/CSA B45.4

---

1-(503) 455-8336

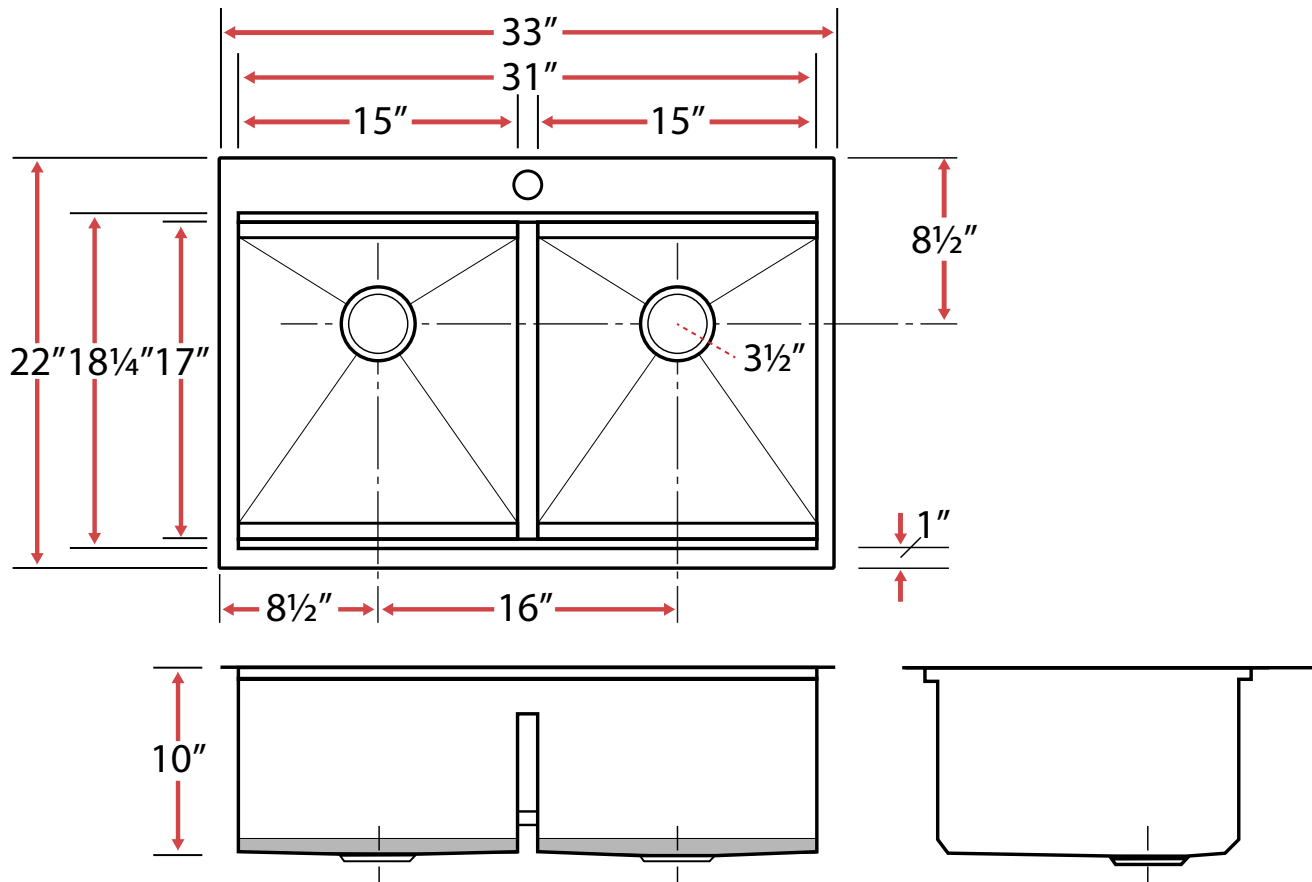
Sink specifications may change without notice. Please visit [www.ticorsinks.com](http://www.ticorsinks.com) for the most current information. Updated 03/27/2018



# TR4070

## Bradford Series

Overmount Kitchen Sink



### Technical Information

- Sink Collection: **Bradford Series**
- Sink Model Number: **TR4070**
- Corner Style: **Zero Radius**
- Sink Length (inches): **33**
- Sink Width (inches): **22**
- Sink Basin Depth (inches): **10**
- Drain Opening (inches): **3.5**
- Drain Position: **Rear**
- Bowl Configuration: **Double**
- Bowl Ratio: **50/50**
- Faucet Holes: **Single 1 1/2" Hole**
- Installation Type: **Overmount**
- Minimum Sink Base Cabinet Width Required: **33"**  
*(Cabinet May Require Additional Modifications at Minimum Size. Consult an Installer for Confirmation)*

1-(503) 455-8336

Sink specifications may change without notice. Please visit [www.ticorsinks.com](http://www.ticorsinks.com) for the most current information. Updated 03/27/2018