



TR4060

Bradford Series

Overmount Kitchen Sink

Features

- 16 Gauge 304 Stainless Steel Construction
- Satin Brushed Finish
- Graduated Basin Ledge Allows You to Place Accessories Inside with Customizable Arrangement
- Non-Porous Corrosion-Resistant Surface
- Equipped with SoundShield™ Noise Deadening Pads (85% Bottom Basin Coverage)
- Protected with a Non-Toxic Anti-Condensation Coating
- Limited Lifetime Warranty



Compatible Accessories

- TG111 Stainless Steel Custom Fit Basin Racks
- DT16 Drying Tray
- CB9 Cutting Board
- RSR1812 Stainless Steel Rolling Rack
- SC1 Deluxe Sink Caddy
- TBASK Stainless Steel Basket Strainer
- MF1 FuFu Microfiber Sink Loofah
- MIB-O Mounting and Installation Brackets
- T4060 Sink Cut-Out Template
- Installation Instructions

Codes/Standards

ASME A112.19.3/CSA B45.4

1-(503) 455-8336

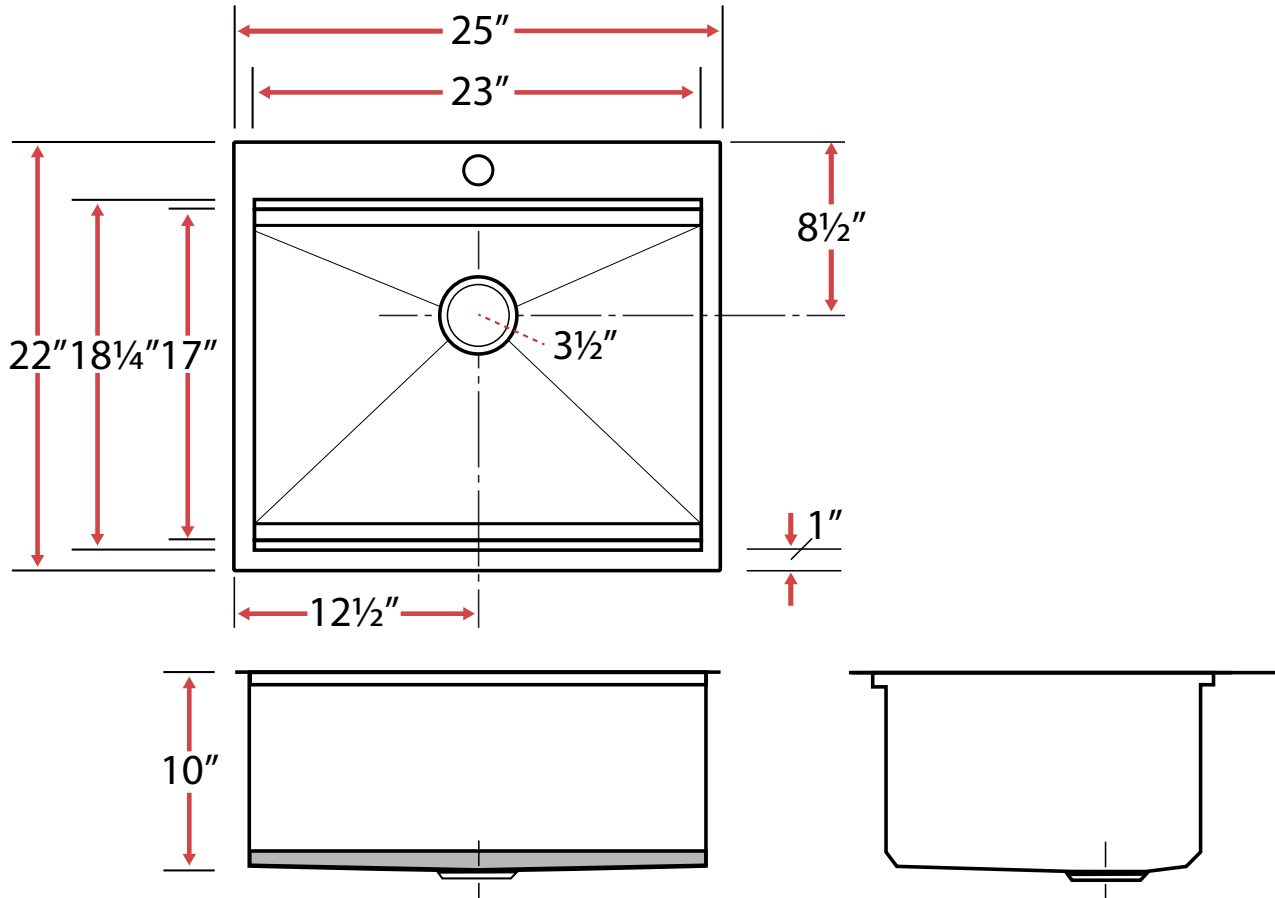
Sink specifications may change without notice. Please visit www.ticorsinks.com for the most current information. Updated 03/21/2018



TR4060

Bradford Series

Overmount Kitchen Sink



Technical Information

- Sink Collection: **Bradford Series**
- Sink Model Number: **TR4060**
- Corner Style: **Zero Radius**
- Sink Length (inches): **25**
- Sink Width (inches): **22**
- Sink Basin Depth (inches): **10**
- Drain Opening (inches): **3.5**
- Drain Position: **Rear**
- Bowl Configuration: **Single**
- Faucet Holes: **Single 1 1/2" Hole**
- Installation Type: **Overmount**
- Minimum Sink Base Cabinet Width Required: **27"**
(Cabinet May Require Additional Modifications at Minimum Size. Consult an Installer for Confirmation)

1-(503) 455-8336

Sink specifications may change without notice. Please visit www.ticorsinks.com for the most current information. Updated 03/21/2018