



TR1900

Bradford Series

Undermount Kitchen Sink

Features

- 16 Gauge 304 Stainless Steel Construction
- Satin Brushed Finish
- Graduated Basin Ledge Allows You to Place Accessories Inside with Customizable Arrangement
- Non-Porous Corrosion-Resistant Surface
- Equipped with SoundShield™ Noise Deadening Pads (85% Bottom Basin Coverage)
- Protected with a Non-Toxic Anti-Condensation Coating
- Limited Lifetime Warranty



Compatible Accessories

TG83, TG84 Stainless Steel Custom Fit Basin Racks
CB-1 Cutting Board
DT3 Drying Tray
SA3 Hanging Basket Colander
RSR16.7512 Stainless Steel Rolling Rack
SC1 Deluxe Sink Caddy
TBASK Stainless Steel Basket Strainer
MF1 FuFu Microfiber Sink Loofah
MIB-U Mounting and Installation Brackets
T1900 Sink Cut-Out Template
Installation Instructions

Codes/Standards

ASME A112.19.3/CSA B45.4

1-(503) 455-8336

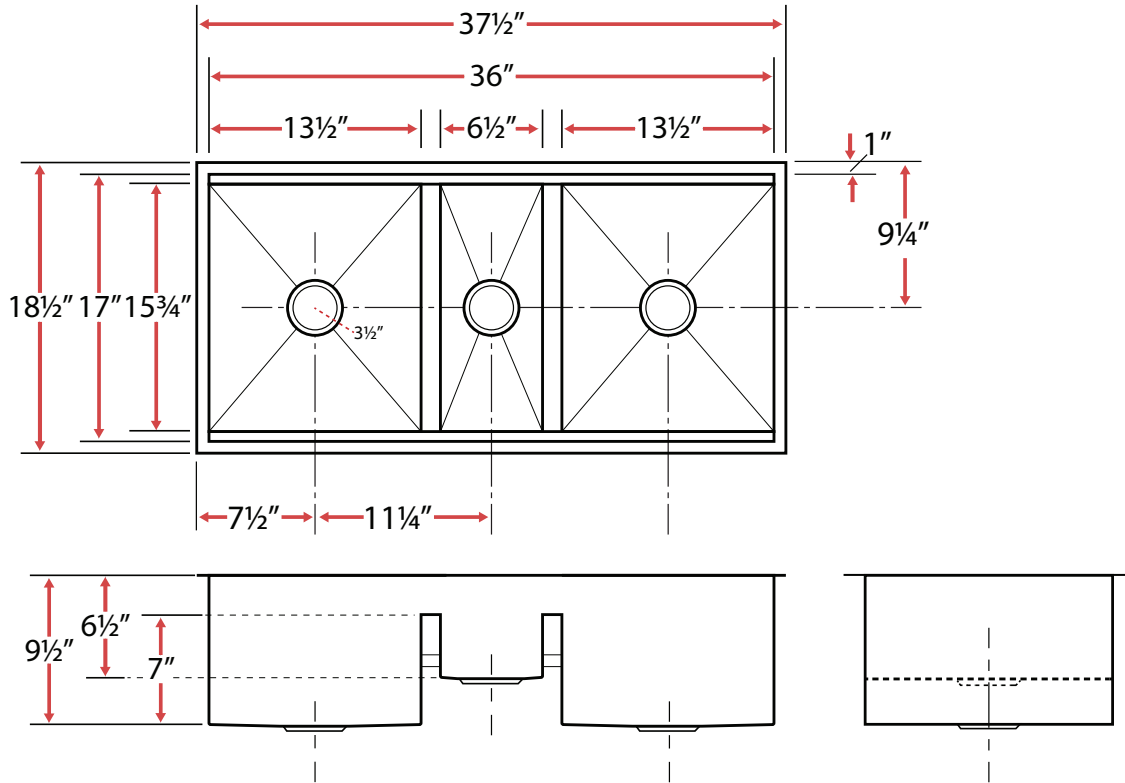
Sink specifications may change without notice. Please visit www.ticorsinks.com for the most current information. Updated 03/22/2018



TR1900

Bradford Series

Undermount Kitchen Sink



Technical Information

- Sink Collection: **Bradford Series**
- Sink Model Number: **TR1900**
- Corner Style: **Zero Radius**
- Sink Length (inches): **37 1/2**
- Sink Width (inches): **18 1/2**
- Sink Basin Depth (inches): **9 1/2 (L&R), 6 1/2 (M)**
- Drain Opening (inches): **3.5**
- Drain Position: **Center**
- Bowl Configuration: **Triple**
- Bowl Ratio: **40/20/40**
- Installation Type: **Undermount**
- Minimum Sink Base Cabinet Width Required: **39"** (Cabinet May Require Additional Modifications at Minimum Size. Consult an Installer for Confirmation)

1-(503) 455-8336

Sink specifications may change without notice. Please visit www.ticorsinks.com for the most current information. Updated 03/22/2018