



PLZ-611

Arlo Series

Overmount Kitchen Sink

Features

- 18 Gauge 304 Stainless Steel Construction
- Satin Brushed Finish
- Non-Porous Corrosion-Resistant Surface
- Protected with a Non-Toxic Anti-Condensation Coating
- Limited Lifetime Warranty

Compatible Accessories

PG131, PG132 Stainless Steel
Custom Fit Basin Racks
SC1 Deluxe Sink Caddy
TBASK Stainless Steel Basket Strainer
MF1 FuFu Microfiber Sink Loofah
MIB-O Mounting and Installation Brackets
TPLZ-611 Sink Cut-Out Template
Installation Instructions



Codes/Standards

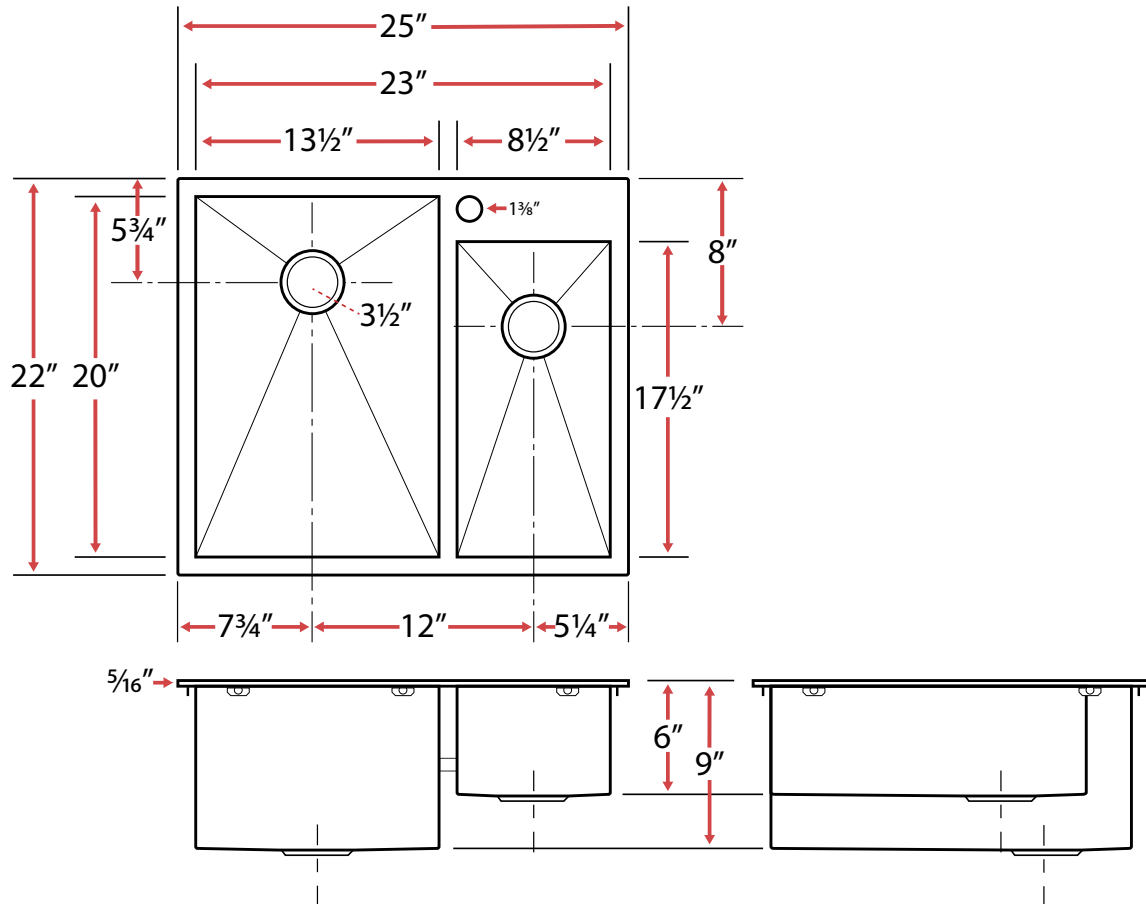
ASME A112.19.3/CSA B45.4



PLZ-611

Arlo Series

Overmount Kitchen Sink



Technical Information

- Sink Collection: **Arlo Series**
- Sink Model Number: **PLZ-611**
- Corner Style: **Zero Radius**
- Sink Length (inches): **25**
- Sink Width (inches): **22**
- Sink Basin Depth (inches): **9 (L), 6 (R)**
- Drain Opening (inches): **3.5**
- Drain Position: **Rear**
- Bowl Configuration: **Double**
- Bowl Ratio: **65/35**
- Installation Type: **Overmount**
- Minimum Sink Base Cabinet Width Required: **27"**

(Cabinet May Require Additional Modifications at Minimum Size. Consult an Installer for Confirmation)

1-(503) 455-8336

Sink specifications may change without notice. Please visit www.ticorsinks.com for the most current information. Updated 06/8/2018