



B3

Belfast Series
Undermount Vanity Sink

Features

- Classic Rectangular Design
- Overflow Drain w/ Chrome Insert
- Vitreous China
- No Faucet Holes
- Requires Wall or Counter-Mount Faucet
- Limited Lifetime Warranty
- Available in White or Almond color



Compatible Accessories

MIB-U Mounting and Installation Brackets
TB3 Sink Cut-Out Template
Installation Instructions

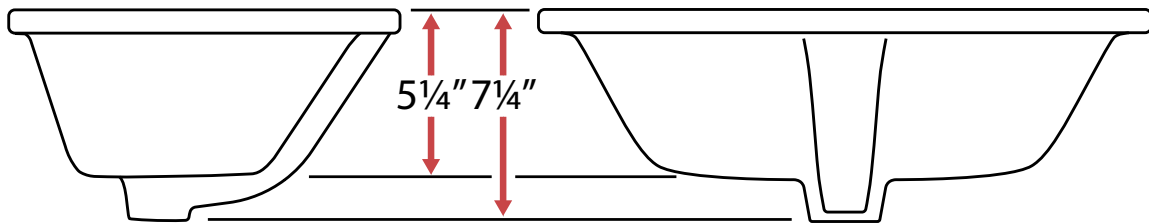
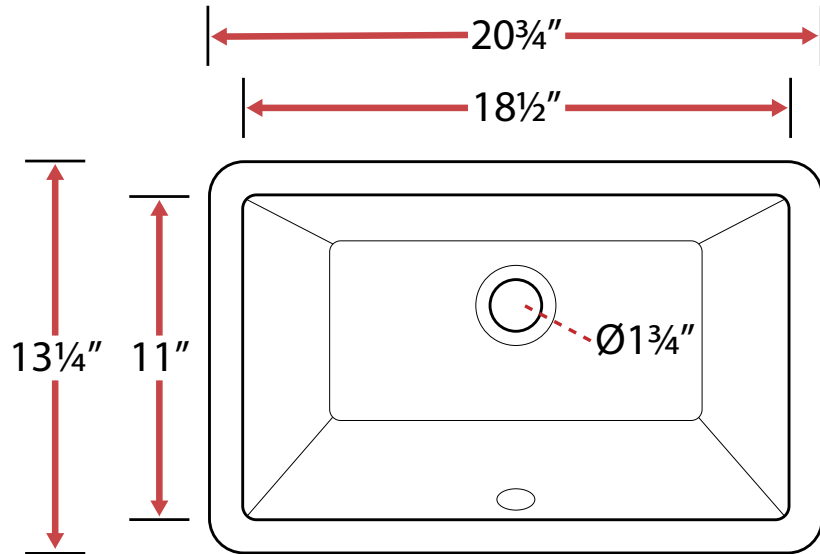
Codes/Standards

ASME A112.19.3/CSA B45.4



B3

Belfast Series
Undermount Vanity Sink



Technical Information

- Sink Collection: **Belfast Series**
- Sink Model Number: **B3**
- Sink Length (inches): **20³/₄**
- Sink Width (inches): **13¹/₄**
- Sink Basin Depth (inches): **5¹/₂**
- Drain Opening (inches): **1³/₄**
- Drain Position: **Rear**
- Bowl Configuration: **Single**
- Installation Type: **Undermount**
- Minimum Sink Base Cabinet Width Required: **21"**

(Cabinet May Require Additional Modifications at Minimum Size. Consult an Installer for Confirmation)

1-(503) 455-8336

Sink specifications may change without notice. Please visit www.ticorsinks.com for the most current information. Updated 06/29/2018