



B1
Belfast Series
Undermount Vanity Sink

Features

- Classic Rectangular Design
- Overflow Drain
- Vitreous China
- No Faucet Holes
- Requires Wall or Counter-Mount Faucet
- Limited Lifetime Warranty
- Available in White or Almond color

Compatible Accessories

MIB-U Mounting and Installation Brackets
TB1 Sink Cut-Out Template
Installation Instructions



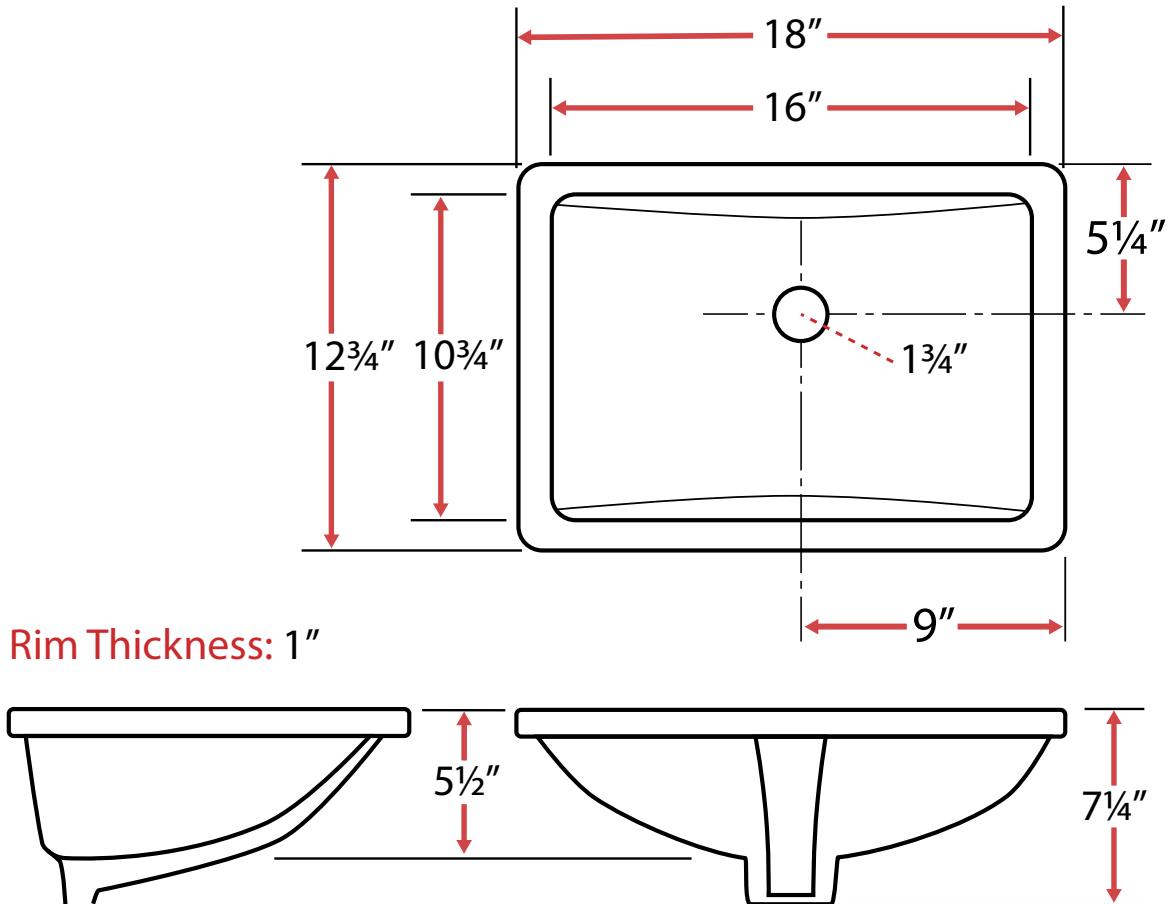
Codes/Standards

ASME A112.19.3/CSA B45.4



B1

Belfast Series
Undermount Vanity Sink



Technical Information

- Sink Collection: **Belfast Series**
- Sink Model Number: **B1**
- Sink Length (inches): **18**
- Sink Width (inches): **12 3/4**
- Sink Basin Depth (inches): **5 1/2**
- Drain Opening (inches): **1 3/4**
- Drain Position: **Rear**
- Bowl Configuration: **Single**
- Installation Type: **Undermount**
- Minimum Sink Base Cabinet Width Required: **21"**
(Cabinet May Require Additional Modifications at Minimum Size. Consult an Installer for Confirmation)

1-(503) 455-8336

Sink specifications may change without notice. Please visit www.ticorsinks.com for the most current information. Updated 03/21/2018