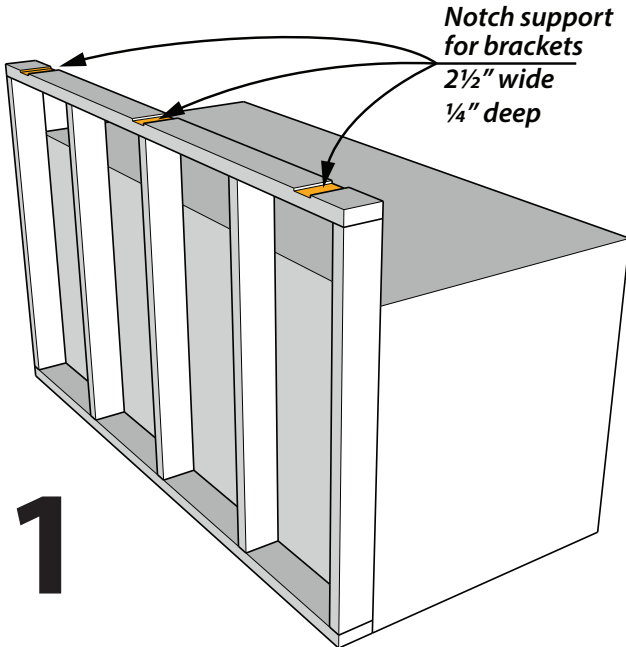




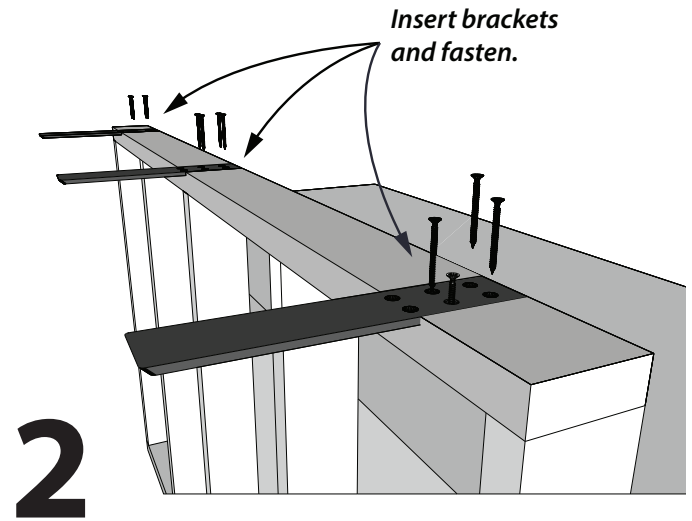
# Countertop Support Brace Installation Instructions

*These instructions are a reference only; installation should be performed by a qualified professional in accordance with local law. Always use safety gear and proper equipment. Brackets must be installed to a properly constructed substrate.*

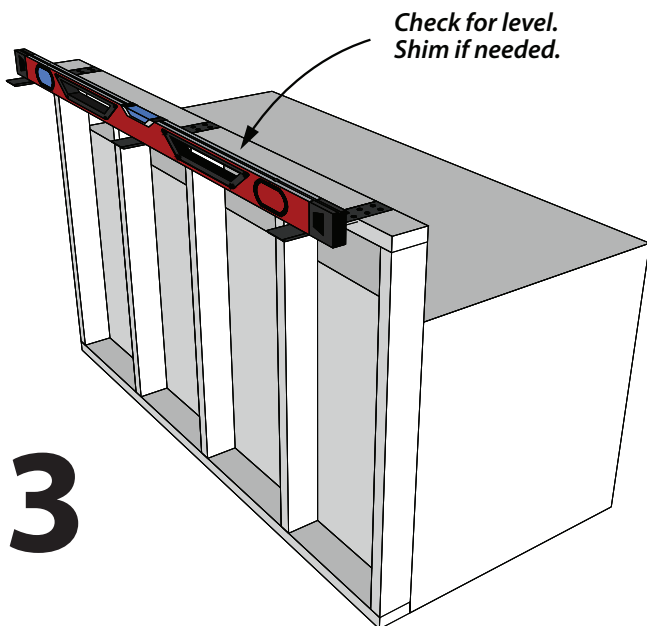
Type: Straight Brace



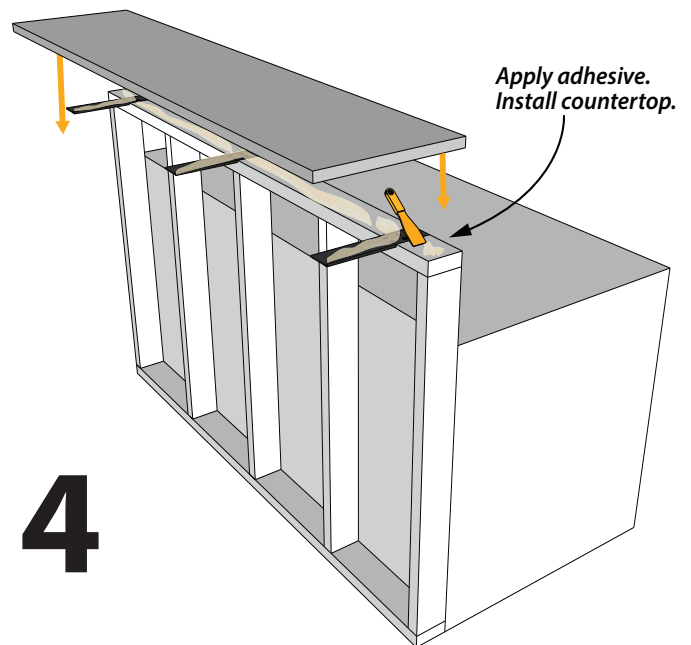
Space the brackets 18-24" apart, starting 3-6" from the outer edges. Ensure brackets sit flush with support.



Determine if included screws are appropriate for your project. Fasten brackets to support using 4 screws per bracket.



Check that the brackets are level and glue shims onto the brackets as necessary



Use an appropriate epoxy or construction adhesive to mount the countertop.



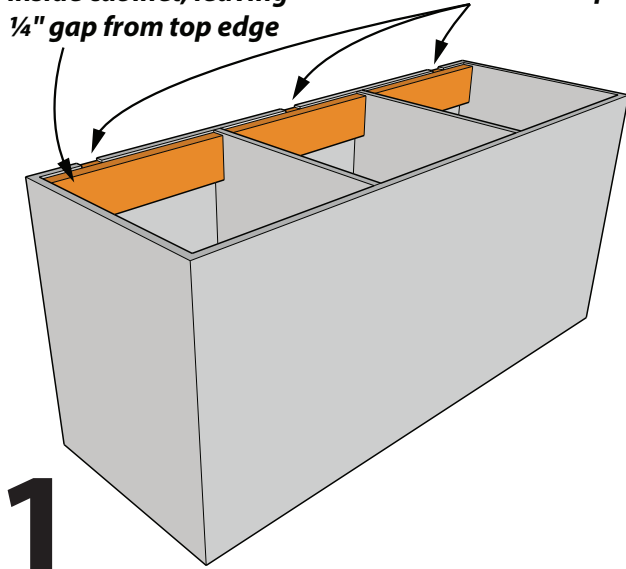
# Countertop Support Brace Installation Instructions

*These instructions are a reference only; installation should be performed by a qualified professional in accordance with local law. Always use safety gear and proper equipment. Brackets must be installed to a properly constructed substrate.*

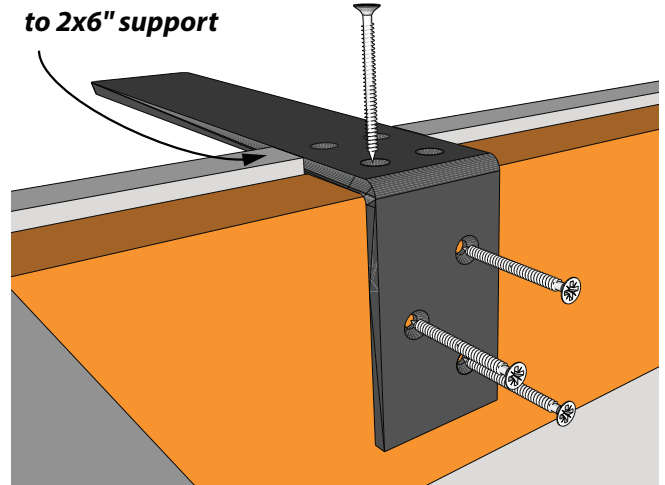
Type: L Brace

**Mount 2x6" support inside cabinet, leaving 1/4" gap from top edge**

**Notch cabinet walls 2 1/2" wide & 1/4" deep**



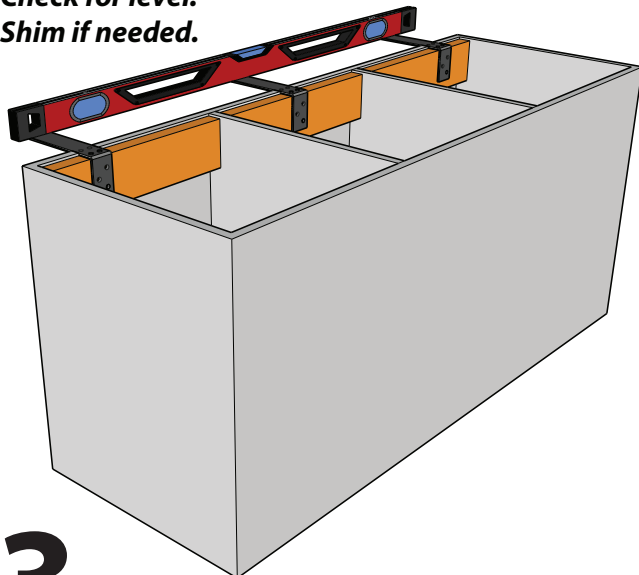
**Ensure the bracket is flush with the cabinet rim, then fasten bracket to 2x6" support**



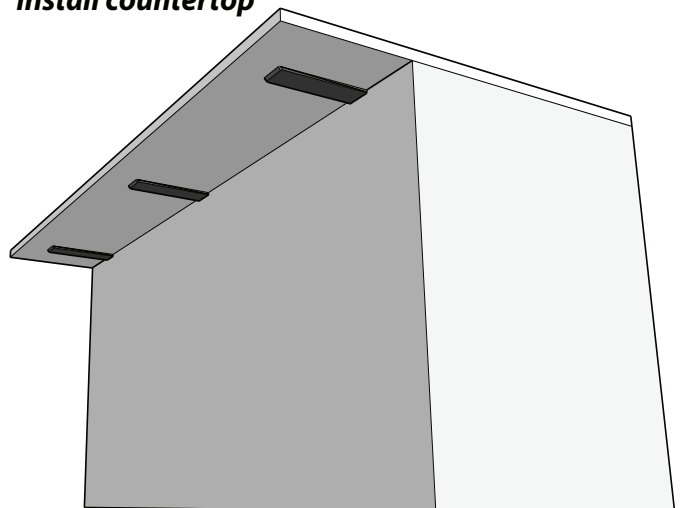
The cabinet must be reinforced with a 2x6". Space the brackets 18-24" apart, starting 3-6" from the outer edges. Ensure brackets sit flush with cabinet.

Determine if included screws are appropriate for your project. Fasten brackets to support using 4 screws per bracket.

**Check for level. Shim if needed.**



**Install countertop**



Check that the brackets are level and glue shims onto the brackets as necessary

Use an appropriate epoxy or construction adhesive to mount the countertop.