



# V2050

## Nautilus Series

Vessel Vanity Sink

### Features

- Square Vessel Design
- Vitreous China
- No Faucet Holes
- Requires Wall or Counter-Mount Faucet
- Limited Lifetime Warranty
- Available in White color



### Compatible Accessories

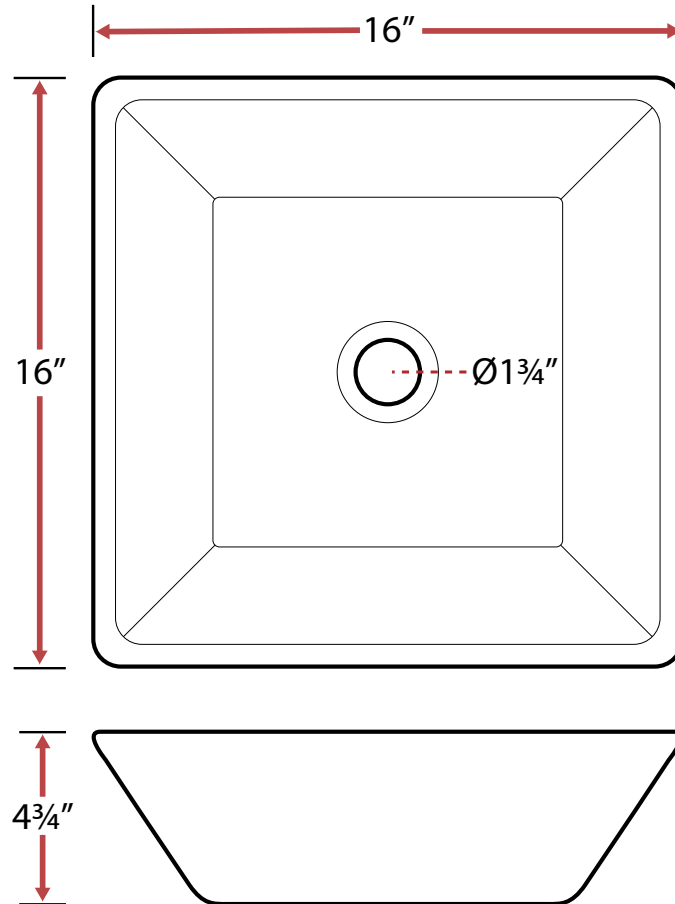
Installation & Care Instructions

### Codes/Standards

ASME A112.19.3/CSA B45.4

# Ticor®

**V2050**  
**Nautilus Series**  
Vessel Vanity Sink



## Technical Information

- Sink Collection: **Nautilus Series**
- Sink Model Number: **V2050**
- Sink Length (inches): **16**
- Sink Width (inches): **16**
- Sink Basin Depth (inches): **4<sup>3</sup>/<sub>4</sub>**
- Drain Opening (inches): **1<sup>3</sup>/<sub>4</sub>**
- Drain Position: **Center**
- Bowl Configuration: **Single**
- Installation Type: **Vessel**

1-(503) 455-8336

Sink specifications may change without notice. Please visit [www.ticorsinks.com](http://www.ticorsinks.com) for the most current information. Updated 06/29/2018