



**V2045**  
**Nautilus Series**  
Vessel Vanity Sink

## Features

- Oval Vessel Design
- Vitreous China
- No Faucet Holes
- Requires Wall or Counter-Mount Faucet
- Limited Lifetime Warranty
- Available in White color

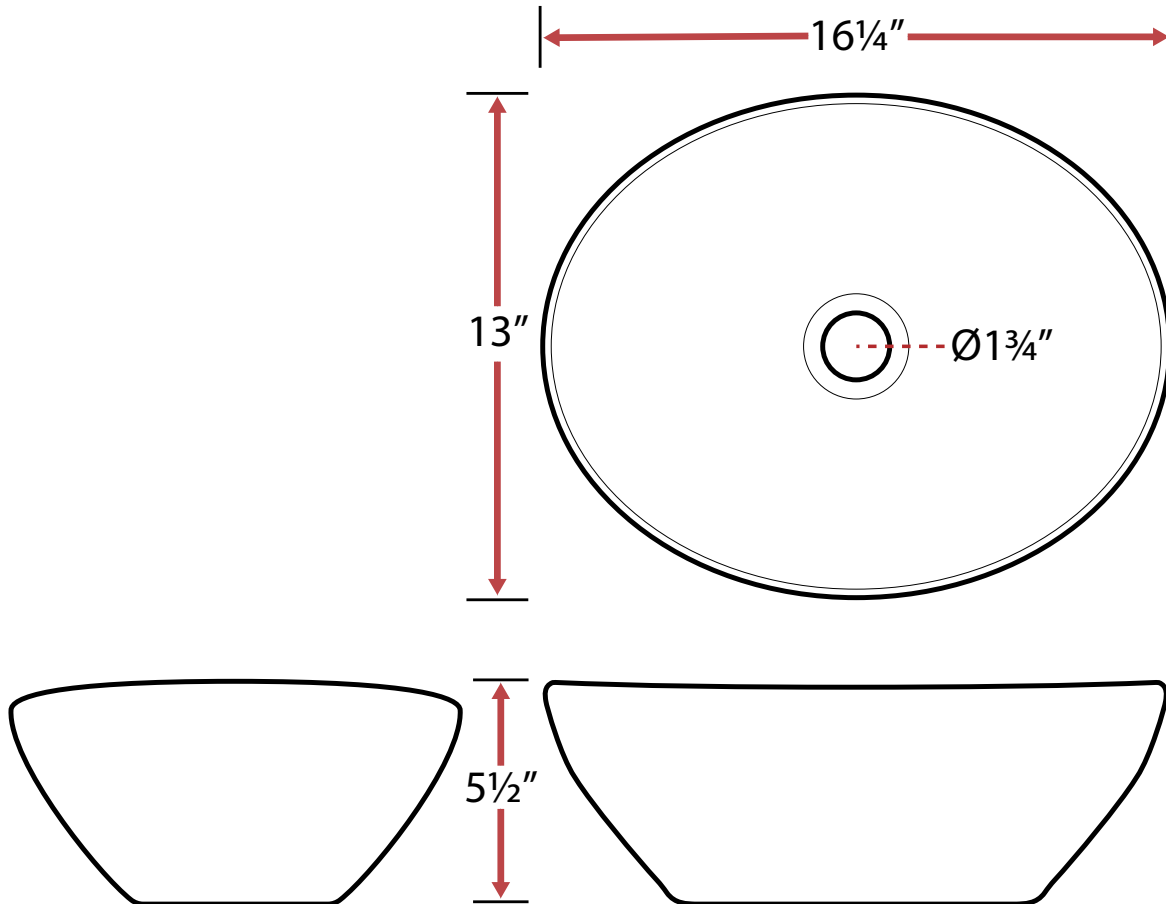
## Compatible Accessories

Installation & Care Instructions

## Codes/Standards

ASME A112.19.3/CSA B45.4





## Technical Information

- Sink Collection: **Nautilus Series**
- Sink Model Number: **V2045**
- Sink Length (inches): **16 1/4**
- Sink Width (inches): **13**
- Sink Basin Depth (inches): **5 1/2**
- Drain Opening (inches): **1 3/4**
- Drain Position: **Center**
- Bowl Configuration: **Single**
- Installation Type: **Vessel**