



V2035

Nautilus Series

Vessel Vanity Sink

Features

- Round Vessel Design
- Vitreous China
- No Faucet Holes
- Requires Wall or Counter-Mount Faucet
- Limited Lifetime Warranty
- Available in White color

Compatible Accessories

Installation & Care Instructions

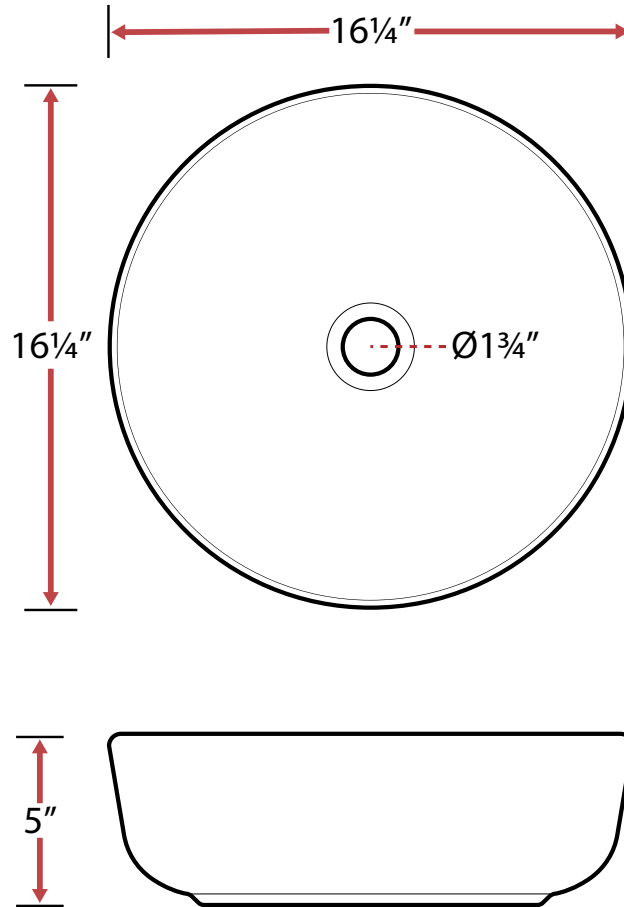
Codes/Standards

ASME A112.19.3/CSA B45.4



Ticor®

V2035
Nautilus Series
Vessel Vanity Sink



Technical Information

- Sink Collection: **Nautilus Series**
- Sink Model Number: **V2035**
- Sink Length (inches): **16 1/4**
- Sink Width (inches): **16 1/4**
- Sink Basin Depth (inches): **5**
- Drain Opening (inches): **1 3/4**
- Drain Position: **Center**
- Bowl Configuration: **Single**
- Installation Type: **Vessel**

1-(503) 455-8336

Sink specifications may change without notice. Please visit www.ticorsinks.com for the most current information. Updated 06/29/2018