



V2015
Nautilus Series
Vessel Vanity Sink

Features

- Oval Vessel Design
- Vitreous China
- No Faucet Holes
- Requires Wall or Counter-Mount Faucet
- Limited Lifetime Warranty
- Available in White color

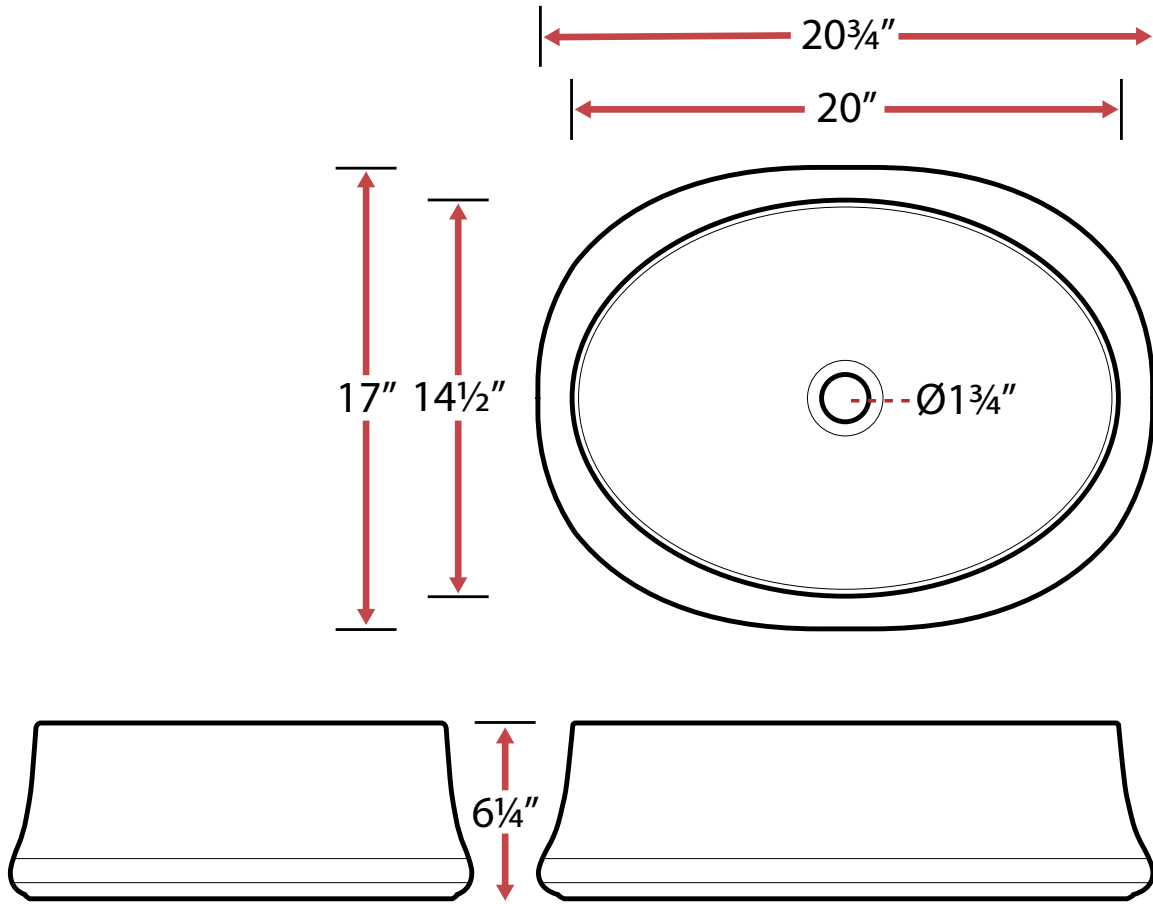
Compatible Accessories

Installation & Care Instructions

Codes/Standards

ASME A112.19.3/CSA B45.4





Technical Information

- Sink Collection: **Nautilus Series**
- Sink Model Number: **V2015**
- Sink Length (inches): **20³/₄**
- Sink Width (inches): **17**
- Sink Basin Depth (inches): **6¹/₄**
- Drain Opening (inches): **1³/₄**
- Drain Position: **Center**
- Bowl Configuration: **Single**
- Installation Type: **Vessel**