



V2010

Nautilus Series

Vessel Vanity Sink

Features

- Round Vessel Design
- Vitreous China
- No Faucet Holes
- Requires Wall or Counter-Mount Faucet
- Limited Lifetime Warranty
- Available in White (V2010-WT)
 - Matte White (V2010-WT-M)
 - Matte Black (V2010-BK-M)
 - Matte Grey (V2010-GY-M)
 - Matte Brown (V2010-BN-M)
 - Matte Green (V2010-GN-M)



Compatible Accessories

Installation & Care Instructions

Codes/Standards

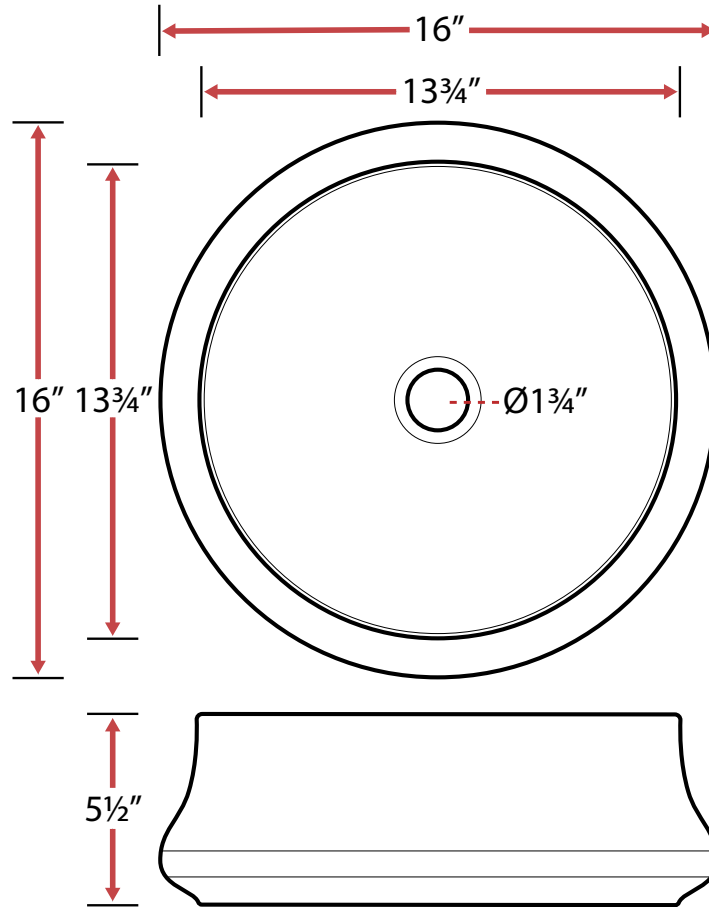
ASME A112.19.3/CSA B45.4



V2010

Nautilus Series

Vessel Vanity Sink



Technical Information

- Sink Collection: **Nautilus Series**
- Sink Model Number: **V2010**
- Sink Length (inches): **16**
- Sink Width (inches): **16**
- Sink Basin Depth (inches): **5 1/2**
- Drain Opening (inches): **1 3/4**
- Drain Position: **Center**
- Bowl Configuration: **Single**
- Installation Type: **Vessel**