



TR3000

Bradford Series

Undermount Kitchen/Bar Sink

Features

- 16 Gauge 304 Stainless Steel Construction
- Satin Brushed Finish
- Non-Porous Corrosion-Resistant Surface
- Equipped with SoundShield™ Noise Deadening Pads (85% Bottom Basin Coverage)
- Protected with a Non-Toxic Anti-Condensation Coating
- Limited Lifetime Warranty



Compatible Accessories

TBASK Stainless Steel Basket Strainer
MF1 FuFu Microfiber Sink Loofah
MIB-U Mounting and Installation Brackets
T3000 Sink Cut-Out Template
Installation Instructions

Codes/Standards

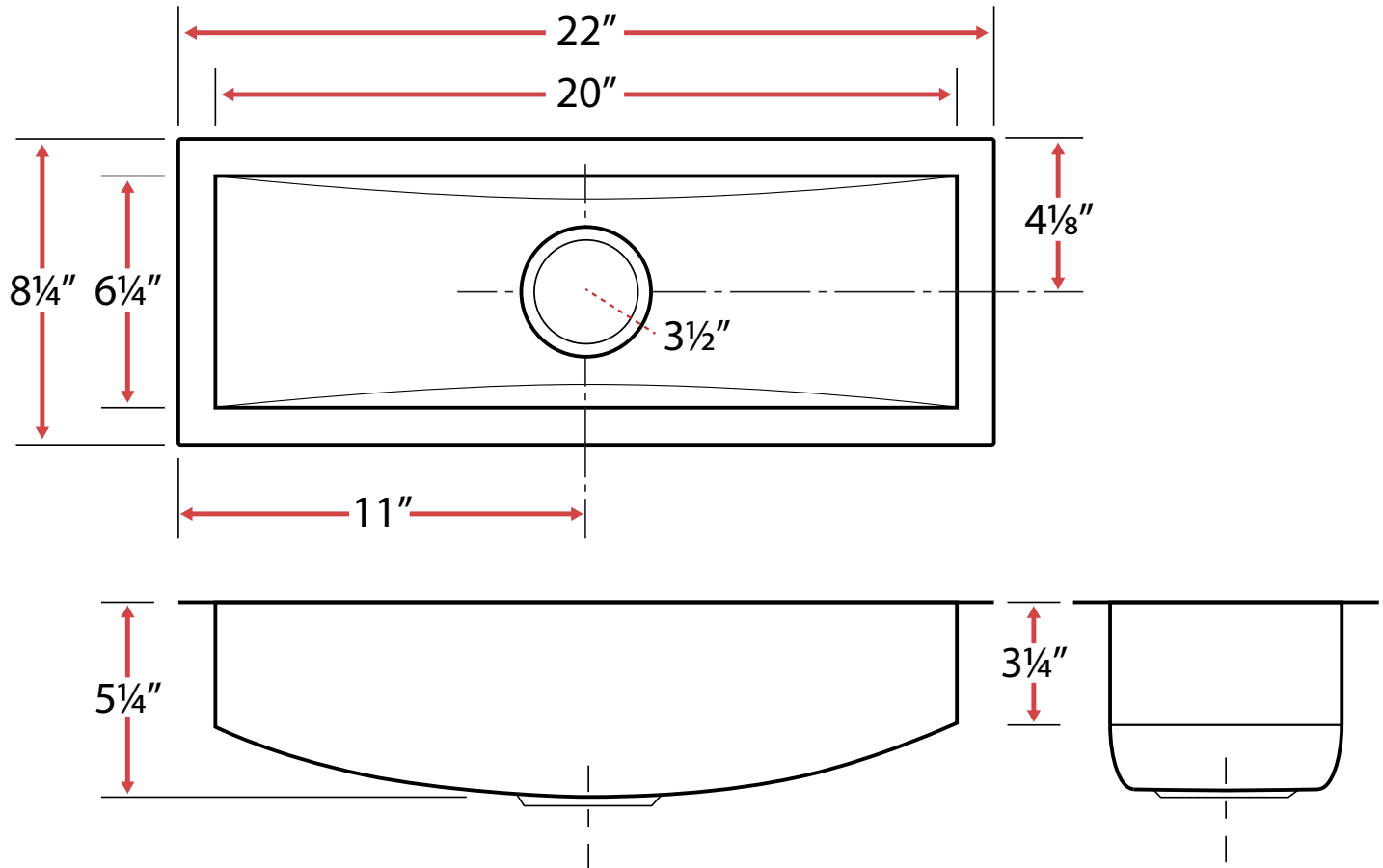
ASME A112.19.3/CSA B45.4



TR3000

Bradford Series

Undermount Kitchen/Bar Sink



Technical Information

- Sink Collection: **Bradford Series**
- Sink Model Number: **TR3000**
- Corner Style: **Zero Radius**
- Sink Length (inches): **22**
- Sink Width (inches): **8 1/4**
- Sink Basin Depth (inches): **5 1/4**
- Drain Opening (inches): **3.5**
- Drain Position: **Center**
- Bowl Configuration: **Single**
- Installation Type: **Undermount**
- Minimum Sink Base Cabinet Width Required: **24"** (Cabinet May Require Additional Modifications at Minimum Size. Consult an Installer for Confirmation)

1-(503) 455-8336

Sink specifications may change without notice. Please visit www.ticorsinks.com for the most current information. Updated 03/21/2018