



TR2000

Bradford Series

Overmount Kitchen Sink

Features

- 16 Gauge 304 Stainless Steel Construction
- Satin Brushed Finish
- Graduated Basin Ledge Allows You to Place Accessories Inside with Customizable Arrangement
- Non-Porous Corrosion-Resistant Surface
- Equipped with SoundShield™ Noise Deadening Pads (85% Bottom Basin Coverage)
- Protected with a Non-Toxic Anti-Condensation Coating
- Limited Lifetime Warranty



Compatible Accessories

TG86 Stainless Steel Custom Fit Basin Rack
CB-1 Cutting Board
DT3 Drying Tray
SA3 Hanging Basket Colander
RSR16.7512 Stainless Steel Rolling Rack
SC1 Deluxe Sink Caddy
TBASK Stainless Steel Basket Strainer
MF1 FuFu Microfiber Sink Loofah
MIB-O Mounting and Installation Brackets
T2000 Sink Cut-Out Template
Installation Instructions

Codes/Standards

ASME A112.19.3/CSA B45.4

1-(503) 455-8336

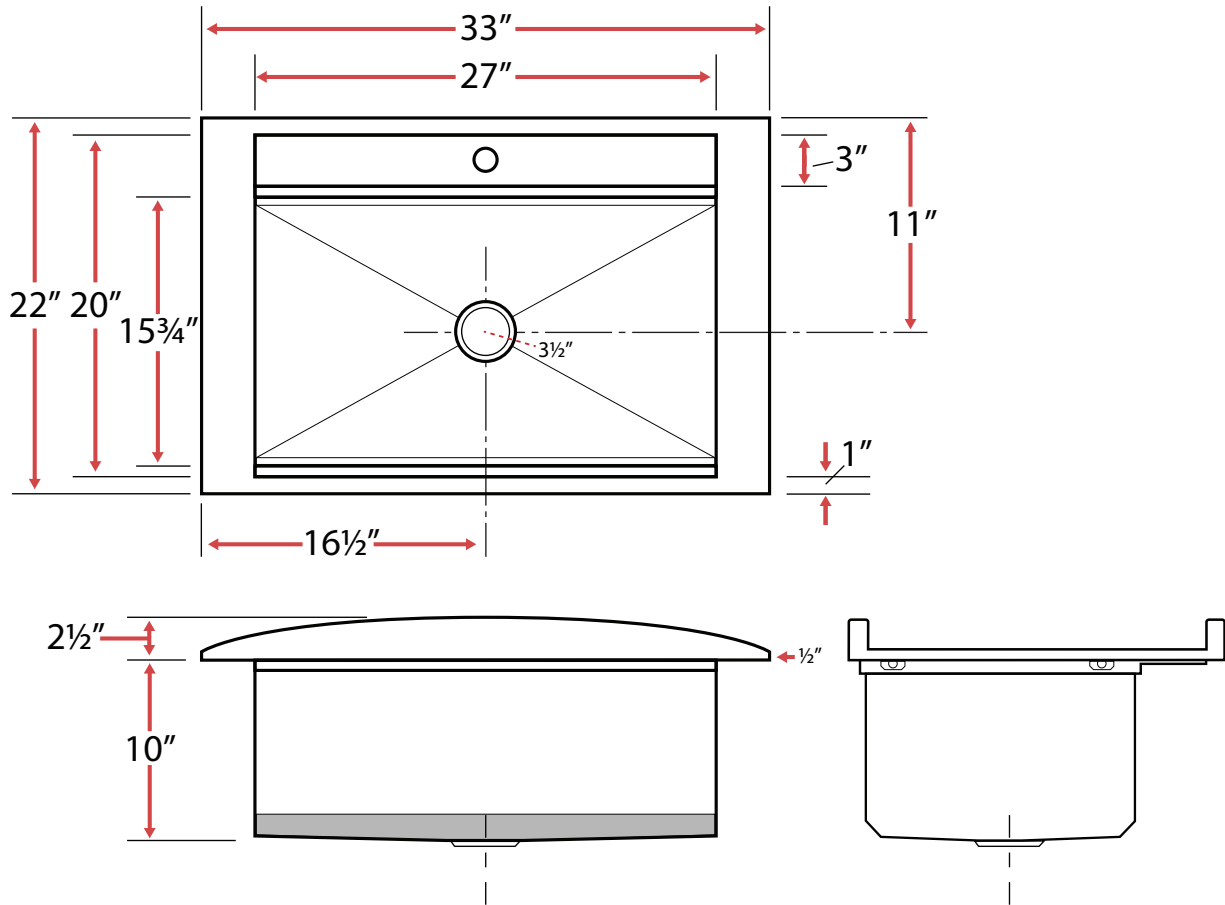
Sink specifications may change without notice. Please visit www.ticorsinks.com for the most current information. Updated 03/22/2018



TR2000

Bradford Series

Overmount Kitchen Sink



Technical Information

- Sink Collection: **Bradford Series**
- Sink Model Number: **TR2000**
- Corner Style: **Zero Radius**
- Sink Length (inches): **33**
- Sink Width (inches): **22**
- Sink Basin Depth (inches): **10**
- Drain Opening (inches): **3.5**
- Drain Position: **Rear**
- Bowl Configuration: **Single**
- Installation Type: **Overmount**
- Minimum Sink Base Cabinet Width Required: **33"** (Cabinet May Require Additional Modifications at Minimum Size. Consult an Installer for Confirmation)

1-(503) 455-8336

Sink specifications may change without notice. Please visit www.ticorsinks.com for the most current information. Updated 03/22/2018