



TR1800

Bradford Series

Overmount Kitchen Sink

Features

- 16 Gauge 304 Stainless Steel Construction
- Satin Brushed Finish
- Non-Porous Corrosion-Resistant Surface
- Equipped with SoundShield™ Noise Deadening Pads (85% Bottom Basin Coverage)
- Protected with a Non-Toxic Anti-Condensation Coating
- Limited Lifetime Warranty

Compatible Accessories

TG41 Stainless Steel Custom Fit Basin Racks
RSR1912 Stainless Steel Rolling Rack
SC1 Deluxe Sink Caddy
TBASK Stainless Steel Basket Strainer
MF1 FuFu Microfiber Sink Loofah
MIB-O Mounting and Installation Brackets
T1800 Sink Cut-Out Template
Installation Instructions



Codes/Standards

ASME A112.19.3/CSA B45.4

1-(503) 455-8336

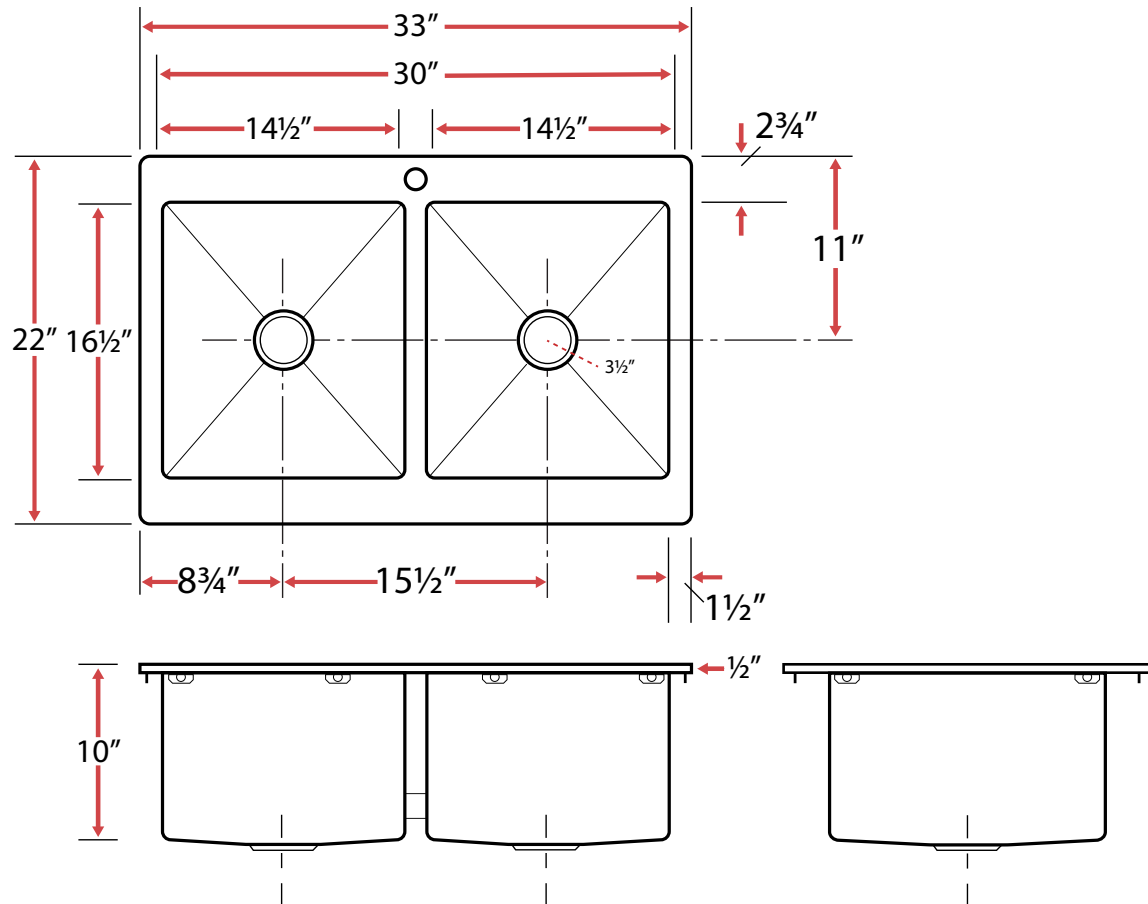
Sink specifications may change without notice. Please visit www.ticorsinks.com for the most current information. Updated 03/26/2018



TR1800

Bradford Series

Overmount Kitchen Sink



Technical Information

- Sink Collection: **Bradford Series**
- Sink Model Number: **TR1800**
- Corner Style: **Tight Radius**
- Sink Length (inches): **33**
- Sink Width (inches): **22**
- Sink Basin Depth (inches): **10**
- Drain Opening (inches): **3.5**
- Drain Position: **Center**
- Bowl Configuration: **Center**
- Bowl Ratio: **50/50**
- Faucet Holes: **Single 1 1/2" Hole**
- Installation Type: **Overmount**
- Minimum Sink Base Cabinet Width Required: **33"** (Cabinet May Require Additional Modifications at Minimum Size. Consult an Installer for Confirmation)

1-(503) 455-8336

Sink specifications may change without notice. Please visit www.ticorsinks.com for the most current information. Updated 03/26/2018