



# TR1500

## Bradford Series

Undermount Kitchen Sink

### Features

- 16 Gauge 304 Stainless Steel Construction
- Satin Brushed Finish
- Non-Porous Corrosion-Resistant Surface
- Equipped with SoundShield™ Noise Deadening Pads (85% Bottom Basin Coverage)
- Protected with a Non-Toxic Anti-Condensation Coating
- Limited Lifetime Warranty



### Compatible Accessories

**TG62, TG63, TG64**

Stainless Steel Custom Fit Basin Racks

**RSR1912** Stainless Steel Rolling Rack

**SC1** Deluxe Sink Caddy

**TBASK** Stainless Steel Basket Strainer

**MF1** FuFu Microfiber Sink Loofah

**MIB-U** Mounting and Installation Brackets

**T1500** Sink Cut-Out Template

Installation Instructions

### Codes/Standards

ASME A112.19.3/CSA B45.4

---

1-(503) 455-8336

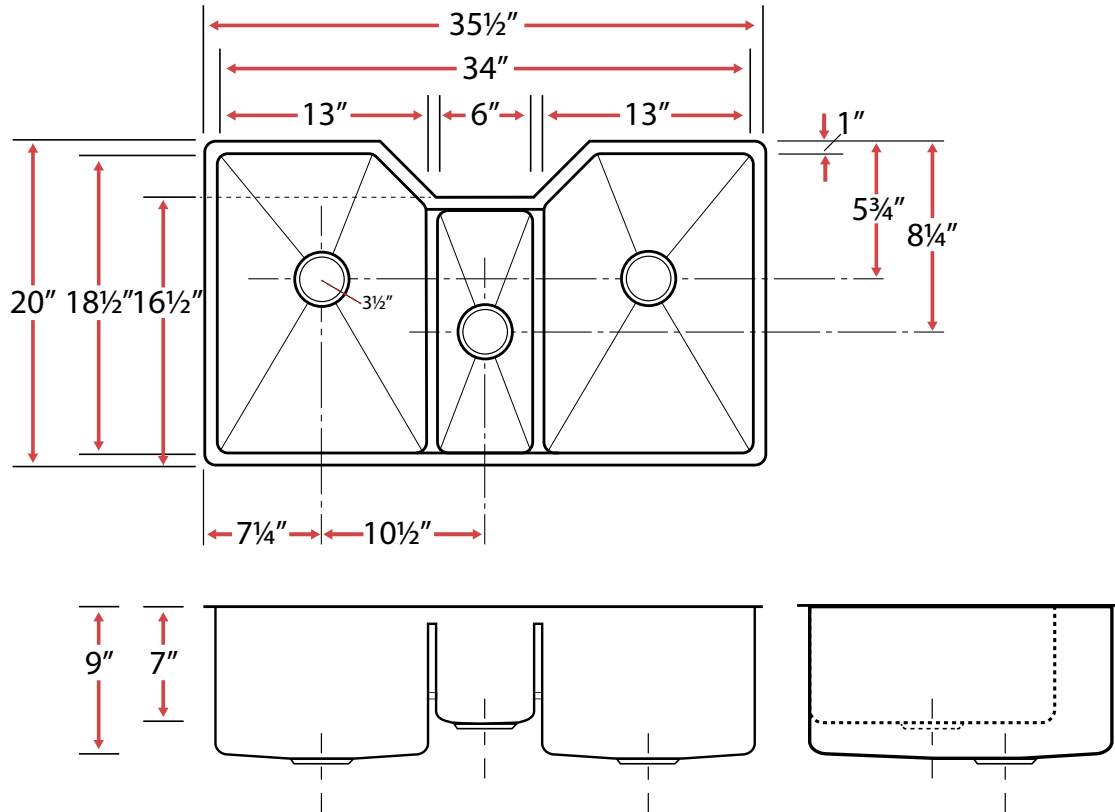
Sink specifications may change without notice. Please visit [www.ticorsinks.com](http://www.ticorsinks.com) for the most current information. Updated 03/22/2018



# TR1500

## Bradford Series

Undermount Kitchen Sink



### Technical Information

- Sink Collection: **Bradford Series**
- Sink Model Number: **TR1500**
- Sink Length (inches): **35 1/2**
- Sink Width (inches): **20**
- Sink Basin Depth (inches): **9 (L&R), 7 (M)**
- Drain Opening (inches): **3.5**
- Drain Position: **Rear (L&R), Center (M)**
- Bowl Configuration: **Triple**
- Bowl Ratio: **40/20/40**
- Installation Type: **Undermount**
- Minimum Sink Base Cabinet Width Required: **39"** (Cabinet May Require Additional Modifications at Minimum Size. Consult an Installer for Confirmation)

1-(503) 455-8336

Sink specifications may change without notice. Please visit [www.ticorsinks.com](http://www.ticorsinks.com) for the most current information. Updated 03/22/2018