



S730

Belfast Series

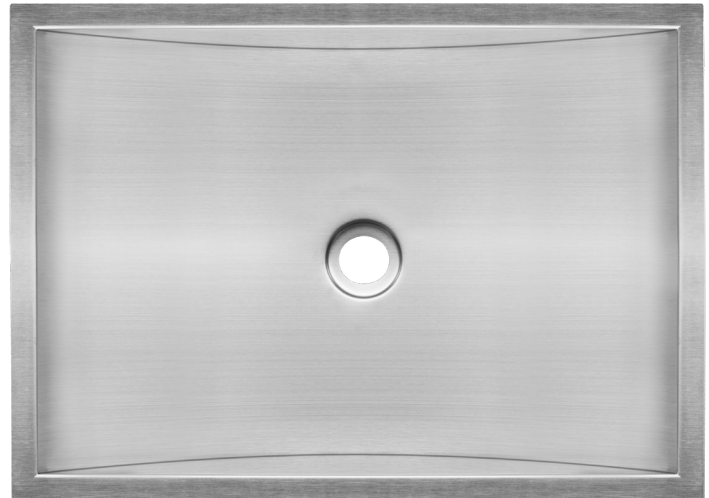
Undermount Vanity Sink

Features

- Contemporary Zero Radius Rectangular Design
- No Overflow Drain
- 18 Guage 304 Grade Stainless Steel
- No Faucet Holes
- Requires Wall or Counter-Mount Faucet
- Limited Lifetime Warranty

Compatible Accessories

MIB-U Mounting and Installation Brackets
TS730 Sink Cut-Out Template
Installation Instructions



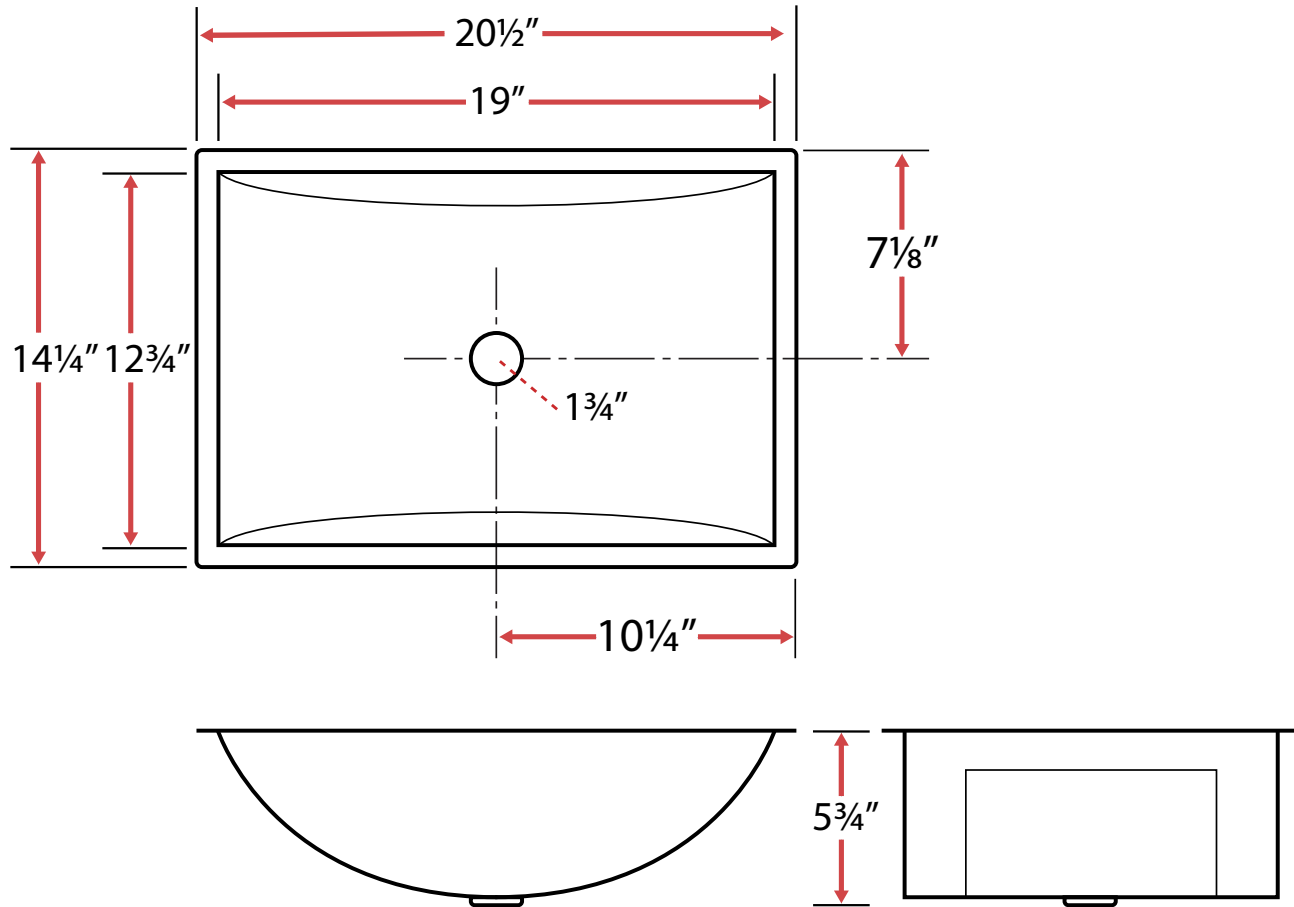
Codes/Standards

ASME A112.19.3/CSA B45.4



S730

Belfast Series
Undermount Vanity Sink



Technical Information

- Sink Collection: **Belfast Series**
- Sink Model Number: **S730**
- Sink Length (inches): **20½**
- Sink Width (inches): **14¼**
- Sink Basin Depth (inches): **5¾**
- Drain Opening (inches): **1¾**
- Drain Position: **Center**
- Bowl Configuration: **Single**
- Installation Type: **Undermount**
- Minimum Sink Base Cabinet Width Required: **21"**
(Cabinet May Require Additional Modifications at Minimum Size. Consult an Installer for Confirmation)

1-(503) 455-8336

Sink specifications may change without notice. Please visit www.ticorsinks.com for the most current information. Updated 03/21/2018