



# S705

## Haven Series

Undermount Kitchen/Bar Sink

### Features

- 16 Gauge 304 Stainless Steel Construction
- Satin Brushed Finish
- Non-Porous Corrosion-Resistant Surface
- Equipped with SoundShield™ Noise Deadening Pads (85% Bottom Basin Coverage)
- Protected with a Non-Toxic Anti-Condensation Coating
- Limited Lifetime Warranty

### Compatible Accessories

TG2 Stainless Steel Custom Fit Basin Rack  
SC1 Deluxe Sink Caddy  
TBASK Stainless Steel Basket Strainer  
MF1 FuFu Microfiber Sink Loofah  
MIB-U Mounting and Installation Brackets  
T705 Sink Cut-Out Template  
Installation Instructions

### Codes/Standards

ASME A112.19.3/CSA B45.4

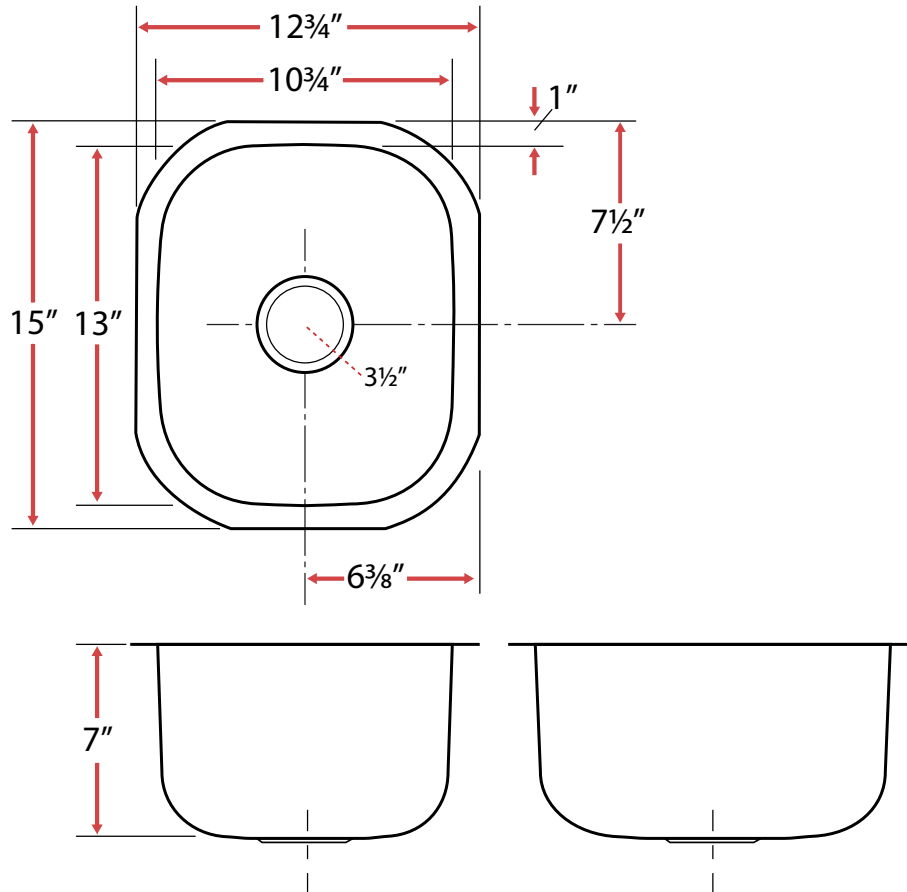




# S705

## Haven Series

Undermount Kitchen/Bar Sink



### Technical Information

- Sink Collection: **Haven Series**
- Sink Model Number: **S705**
- Corner Style: **Deep Drawn**
- Sink Length (inches): **12 3/4**
- Sink Width (inches): **15**
- Sink Basin Depth (inches): **7**
- Drain Opening (inches): **3.5**
- Drain Position: **Center**
- Bowl Configuration: **Single**
- Installation Type: **Undermount**
- Minimum Sink Base Cabinet Width Required: **15"**

*(Cabinet May Require Additional Modifications at Minimum Size. Consult an Installer for Confirmation)*

1-(503) 455-8336

Sink specifications may change without notice. Please visit [www.ticorsinks.com](http://www.ticorsinks.com) for the most current information. Updated 03/21/2018