



# S6502

## Pacific Series

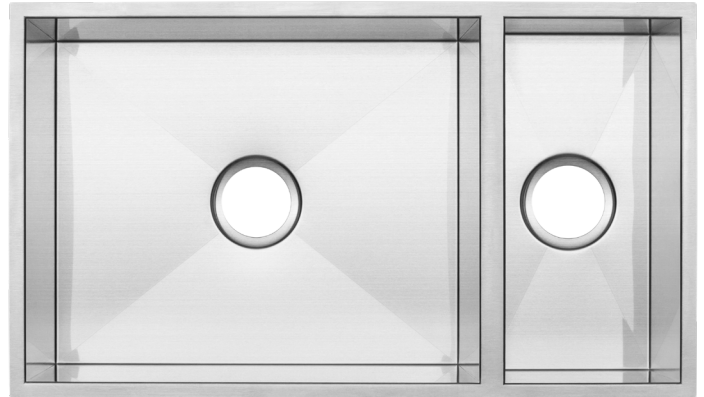
Undermount Kitchen Sink

### Features

- 16 Gauge 304 Stainless Steel Construction
- Satin Brushed Finish
- Non-Porous Corrosion-Resistant Surface
- Equipped with SoundShield™ Noise Deadening Pads (85% Bottom Basin Coverage)
- Protected with a Non-Toxic Anti-Condensation Coating
- Limited Lifetime Warranty

### Compatible Accessories

TG42, TG43 Stainless Steel Custom Fit Basin Rack  
RSR1812 Stainless Steel Rolling Rack  
SC1 Deluxe Sink Caddy  
TBASK Stainless Steel Basket Strainer  
MF1 FuFu Microfiber Sink Loofah  
MIB-U Mounting and Installation Brackets  
T6502 Sink Cut-Out Template  
Installation Instructions



### Codes/Standards

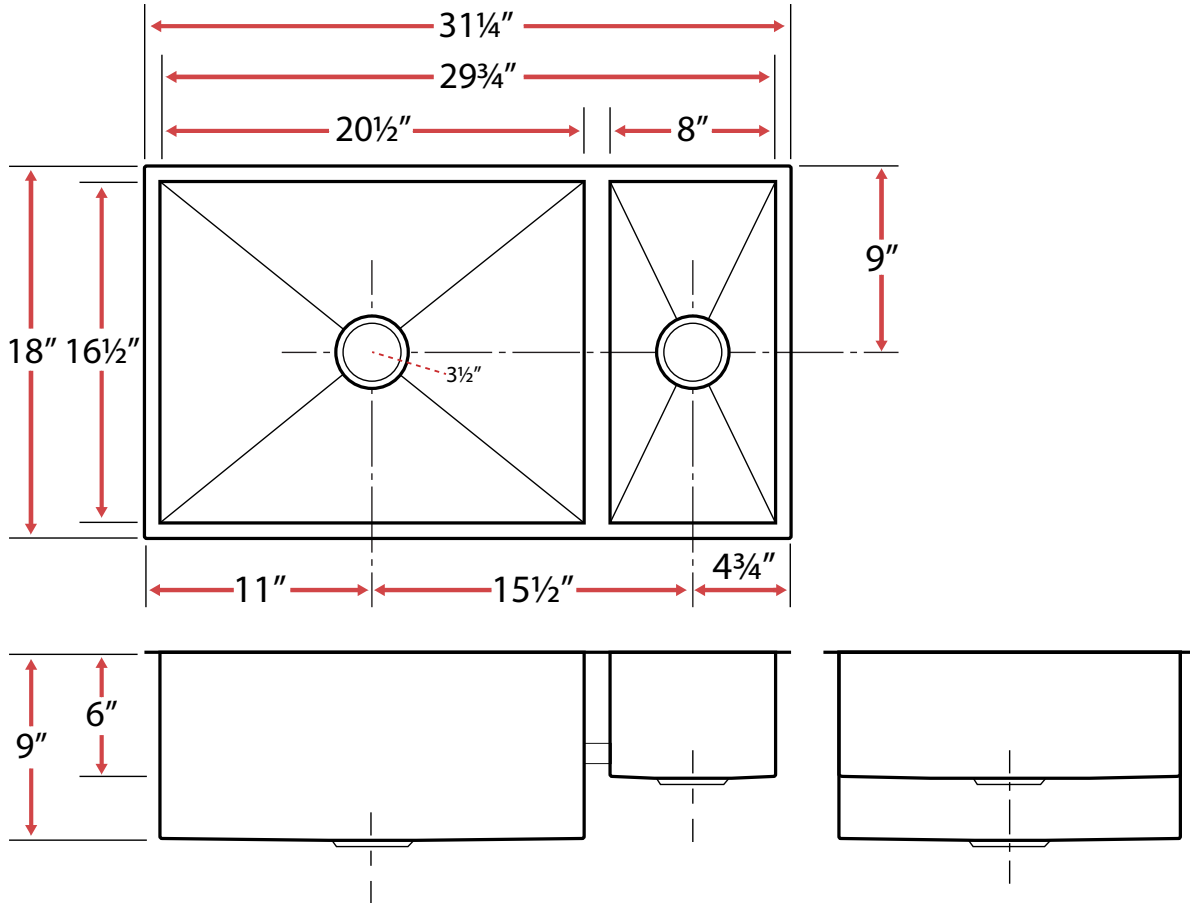
ASME A112.19.3/CSA B45.4



# S6502

## Pacific Series

Undermount Kitchen Sink



### Technical Information

- Sink Collection: **Pacific Series**
- Sink Model Number: **S6502**
- Corner Style: **Zero Radius**
- Sink Length (inches): **31 1/4**
- Sink Width (inches): **18**
- Sink Basin Depth (inches): **9 (L), 6 (R)**
- Drain Opening (inches): **3.5**
- Drain Position: **Center**
- Bowl Configuration: **Double**
- Bowl Ratio: **72/28**
- Installation Type: **Undermount**
- Minimum Sink Base Cabinet Width Required: **33"**

*(Cabinet May Require Additional Modifications at Minimum Size. Consult an Installer for Confirmation)*

1-(503) 455-8336

Sink specifications may change without notice. Please visit [www.ticorsinks.com](http://www.ticorsinks.com) for the most current information. Updated 11/13/2018