



# S610

## Belfast Series

Undermount Vanity Sink

### Features

- Oval Design
- Overflow Drain
- Vitreous China
- No Faucet Holes
- Requires Wall or Counter-Mount Faucet
- Limited Lifetime Warranty
- Available in White or Almond color

### Compatible Accessories

MIB-U Mounting and Installation Brackets  
TS610 Sink Cut-Out Template  
Installation Instructions



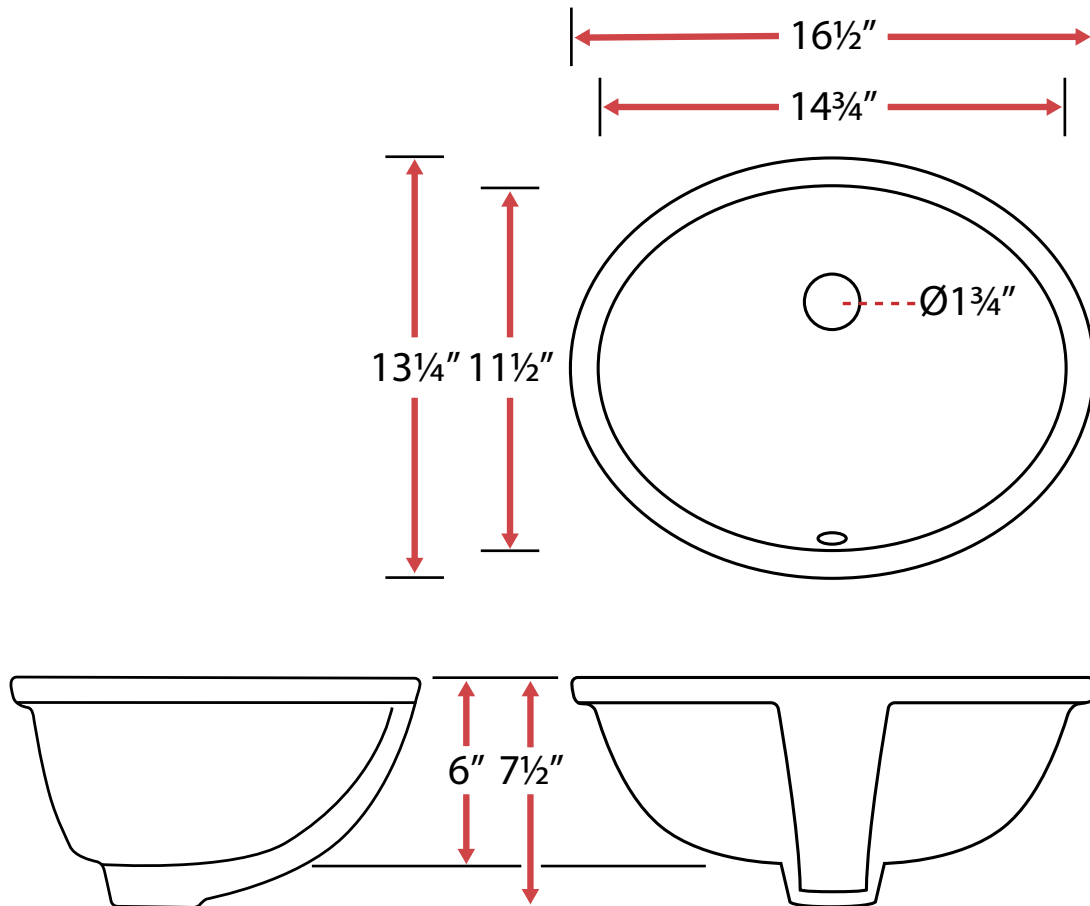
### Codes/Standards

ASME A112.19.3/CSA B45.4



**S610**

**Belfast Series**  
Undermount Vanity Sink



## Technical Information

- Sink Collection: **Belfast Series**
- Sink Model Number: **S610**
- Sink Length (inches): **16½**
- Sink Width (inches): **13¼**
- Sink Basin Depth (inches): **6**
- Drain Opening (inches): **1¾**
- Drain Position: **Rear**
- Bowl Configuration: **Single**
- Installation Type: **Undermount**
- Minimum Sink Base Cabinet Width Required: **21"**

*(Cabinet May Require Additional Modifications at Minimum Size. Consult an Installer for Confirmation)*

1-(503) 455-8336

Sink specifications may change without notice. Please visit [www.ticorsinks.com](http://www.ticorsinks.com) for the most current information. Updated 06/29/2018