



# S4416

## Bryce Series

Apron Kitchen Sink

### Features

- Curved Apron Front
- 16 Gauge 304 Stainless Steel Construction
- Satin Brushed Finish
- Non-Porous Corrosion-Resistant Surface
- Equipped with SoundShield™ Noise Deadening Pads (85% Bottom Basin Coverage)
- Protected with a Non-Toxic Anti-Condensation Coating
- Self-trimming design only requires a simple rough cut overlapping cabinet face for easy installation
- Limited Lifetime Warranty



### Compatible Accessories

**TG75, TG76** Stainless Steel Custom Fit Basin Rack  
**SC1** Deluxe Sink Caddy  
**TBASK** Stainless Steel Basket Strainer  
**MF1** FuFu Microfiber Sink Loofah  
**T4416** Sink Cut-Out Template  
Installation Instructions

### Codes/Standards

ASME A112.19.3/CSA B45.4

---

1-(503) 455-8336

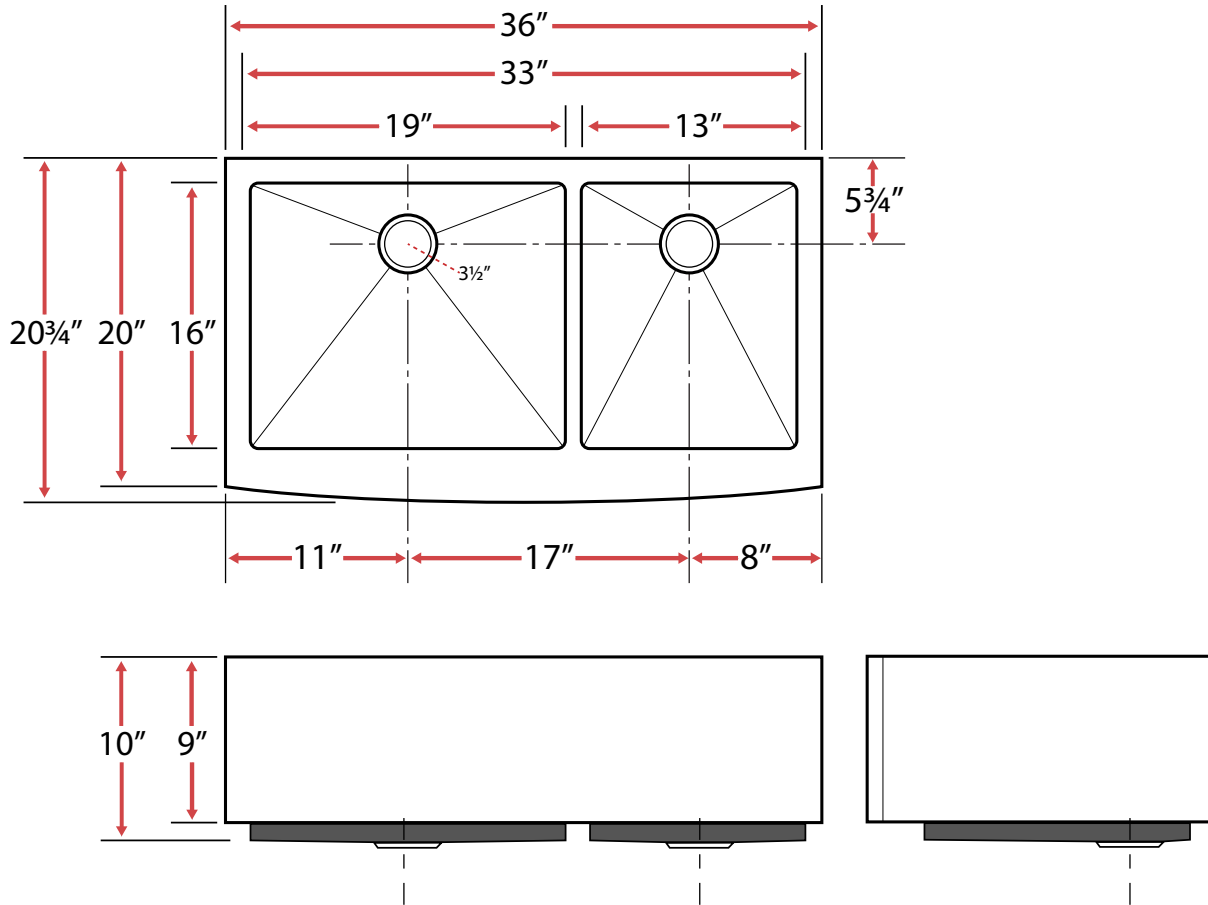
Sink specifications may change without notice. Please visit [www.ticorsinks.com](http://www.ticorsinks.com) for the most current information. Updated 03/21/2018



# S4416

## Bryce Series

Apron Kitchen Sink



### Technical Information

- Sink Collection: **Bryce Series**
- Sink Model Number: **S4416**
- Corner Style: **Tight Radius**
- Sink Length (inches): **36**
- Sink Width (inches): **20 3/4**
- Sink Basin Depth (inches): **10**
- Sink Apron (inches): **9**
- Drain Opening (inches): **3.5**
- Drain Position: **Rear**
- Bowl Configuration: **Double**
- Bowl Ratio: **60/40**
- Installation Type: **Undermount/Flush-Mount**
- Minimum Sink Base Cabinet Width Required: **36"**

*(Cabinet May Require Additional Modifications at Minimum Size. Consult an Installer for Confirmation)*

1-(503) 455-8336

Sink specifications may change without notice. Please visit [www.ticorsinks.com](http://www.ticorsinks.com) for the most current information. Updated 03/21/2018