



# S305

## Haven Series

Undermount Kitchen Sink

### Features

- 16 Gauge 304 Stainless Steel Construction
- Satin Brushed Finish
- Non-Porous Corrosion-Resistant Surface
- Equipped with SoundShield™ Noise Deadening Pads (85% Bottom Basin Coverage)
- Protected with a Non-Toxic Anti-Condensation Coating
- Limited Lifetime Warranty

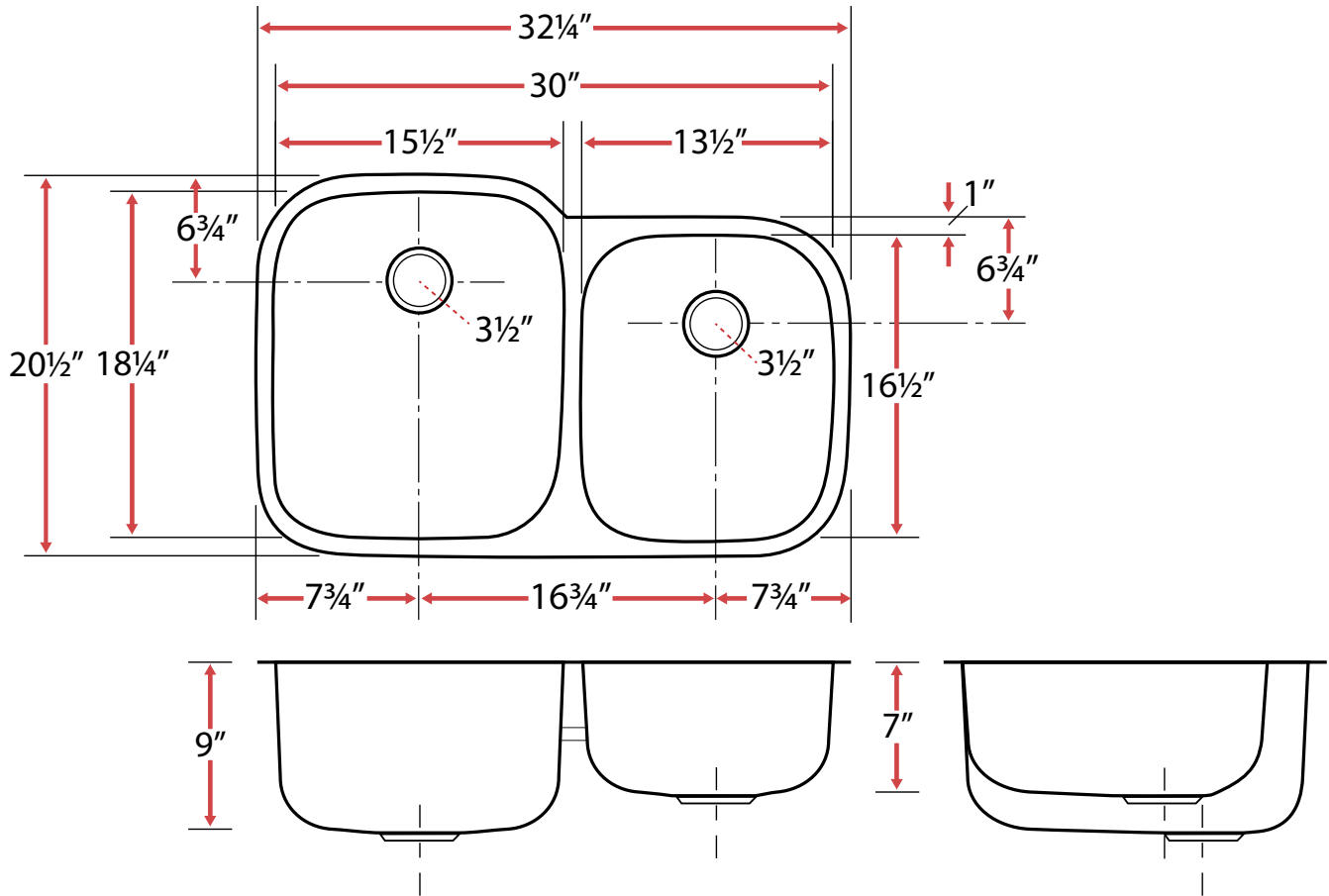


### Compatible Accessories

TG8, TG9 Stainless Steel Custom Fit Basin Racks  
RSR1812 Stainless Steel Rolling Rack  
SC1 Deluxe Sink Caddy  
TBASK Stainless Steel Basket Strainer  
MF1 FuFu Microfiber Sink Loofah  
MIB-U Mounting and Installation Brackets  
T305 Sink Cut-Out Template  
Installation Instructions

### Codes/Standards

ASME A112.19.3/CSA B45.4



## Technical Information

- Sink Collection: **Haven Series**
- Sink Model Number: **S305**
- Corner Style: **Deep Drawn**
- Sink Length (inches): **32 1/4**
- Sink Width (inches): **20 1/2**
- Sink Basin Depth (inches): **9 (L) 7(R)**
- Drain Opening (inches): **3.5**
- Drain Position: **Rear**
- Bowl Configuration: **Double**
- Bowl Ratio: **56/44**
- Installation Type: **Undermount**
- Minimum Sink Base Cabinet Width Required: **33"** (Cabinet May Require Additional Modifications at Minimum Size. Consult an Installer for Confirmation)