



PLZ-20

Arlo Series

Undermount Kitchen Sink

Features

- 18 Gauge 304 Stainless Steel Construction
- Satin Brushed Finish
- Non-Porous Corrosion-Resistant Surface
- Protected with a Non-Toxic Anti-Condensation Coating
- Limited Lifetime Warranty

Compatible Accessories

PG114, PG115 Stainless Steel
Custom Fit Basin Racks
RSR1812 Stainless Steel Rolling Rack
SC1 Deluxe Sink Caddy
TBASK Stainless Steel Basket Strainer
MF1 FuFu Microfiber Sink Loofah
MIB-U Mounting and Installation Brackets
TPLZ-20 Sink Cut-Out Template
Installation Instructions



Codes/Standards

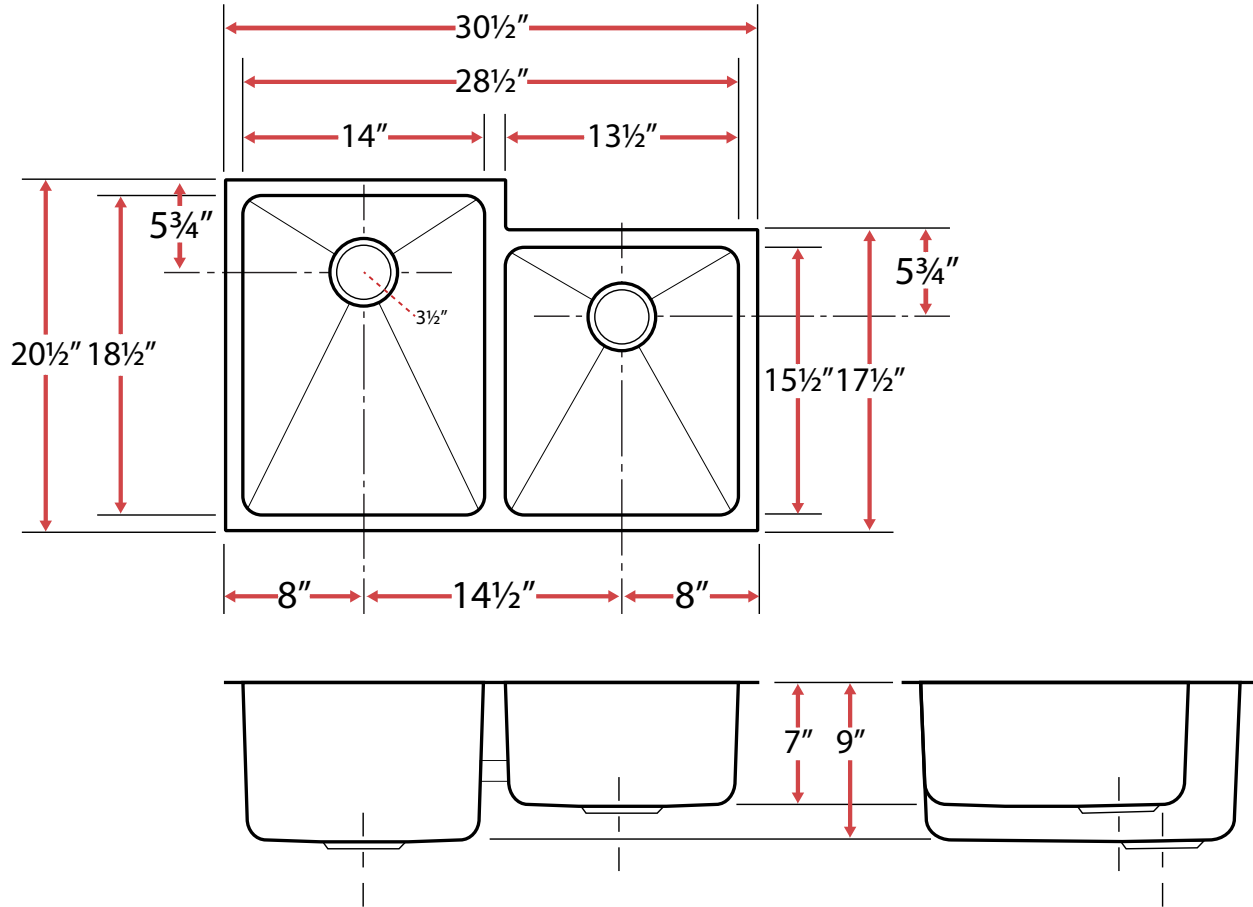
ASME A112.19.3/CSA B45.4



PLZ-20

Arlo Series

Undermount Kitchen Sink



Technical Information

- Sink Collection: **Arlo Series**
- Sink Model Number: **PLZ-20**
- Corner Style: **Deep Drawn**
- Sink Length (inches): **30 1/2**
- Sink Width (inches): **20 1/2**
- Sink Basin Depth (inches): **9 (L), 7(R)**
- Drain Opening (inches): **3.5**
- Drain Position: **Rear**
- Bowl Configuration: **Double**
- Bowl Ratio: **56/44**
- Installation Type: **Undermount**
- Minimum Sink Base Cabinet Width Required: **33"**

(Cabinet May Require Additional Modifications at Minimum Size. Consult an Installer for Confirmation)

1-(503) 455-8336

Sink specifications may change without notice. Please visit www.ticorsinks.com for the most current information. Updated 06/8/2018