



L51

Foster Series

Undermount Kitchen/Laundry Sink

Features

- 18 Gauge 304 Stainless Steel Construction
- Satin Brushed Finish
- Non-Porous Corrosion-Resistant Surface
- Protected with a Non-Toxic Anti-Condensation Coating
- Limited Lifetime Warranty
- For under-mount installation, countertop thickness cannot be greater than 1 inch (25 mm) for ADA compliance.



Compatible Accessories

TG11 Stainless Steel Custom Fit Basin Rack
RSR1812 Stainless Steel Rolling Rack
SC1 Deluxe Sink Caddy
TBASK Stainless Steel Basket Strainer
MF1 FuFu Microfiber Sink Loofah
MIB-U Mounting and Installation Brackets
TL6 Sink Cut-Out Template
Installation Instructions

Codes/Standards

ASME A112.19.3/CSA B45.4

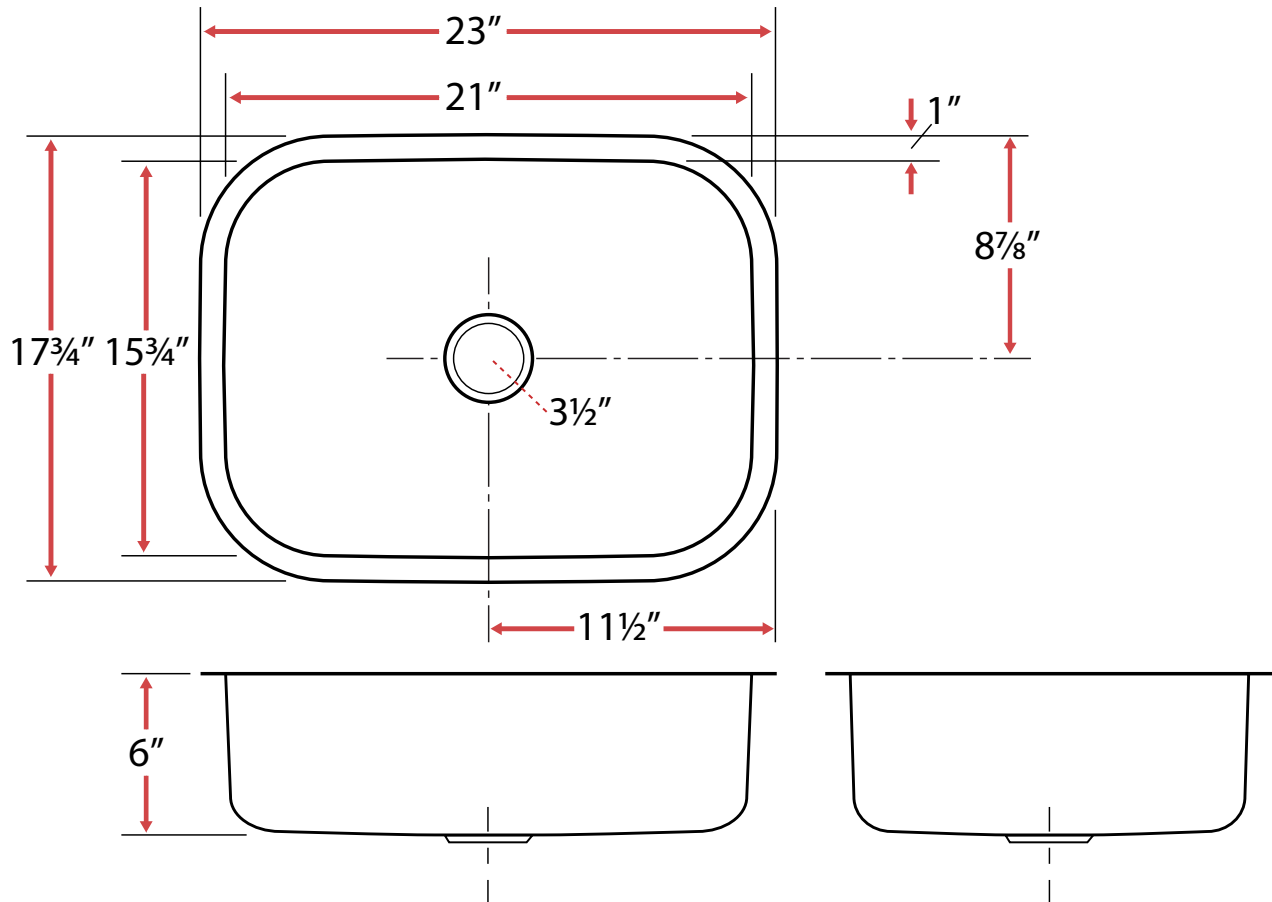
Complies with the Americans with Disabilities Act when installed according to the requirements of the Accessibility Guidelines Section 606 Sinks of the Act.



ADA
Compliant

1-(503) 455-8336

Sink specifications may change without notice. Please visit www.ticorsinks.com for the most current information. Updated 08/17/2018



Technical Information

- Sink Collection: **Foster Series**
- Sink Model Number: **L51**
- Corner Style: **Deep Drawn**
- Sink Length (inches): **23**
- Sink Width (inches): **17 3/4**
- Sink Basin Depth (inches): **6**
- Drain Opening (inches): **3.5**
- Drain Position: **Center**
- Bowl Configuration: **Single**
- Installation Type: **Undermount**
- Minimum Sink Base Cabinet Width Required: **24"**

(Cabinet May Require Additional Modifications at Minimum Size. Consult an Installer for Confirmation)