



**L15**

**Foster Series**  
Undermount Kitchen Sink

## Features

- 18 Gauge 304 Stainless Steel Construction
- Satin Brushed Finish
- Non-Porous Corrosion-Resistant Surface
- Protected with a Non-Toxic Anti-Condensation Coating
- Limited Lifetime Warranty

## Compatible Accessories

**TG8, TG4** Stainless Steel Custom Fit Basin Racks  
**SC1** Deluxe Sink Caddy  
**TBASK** Stainless Steel Basket Strainer  
**MF1** FuFu Microfiber Sink Loofah  
**MIB-U** Mounting and Installation Brackets  
**TL15** Sink Cut-Out Template  
Installation Instructions



## Codes/Standards

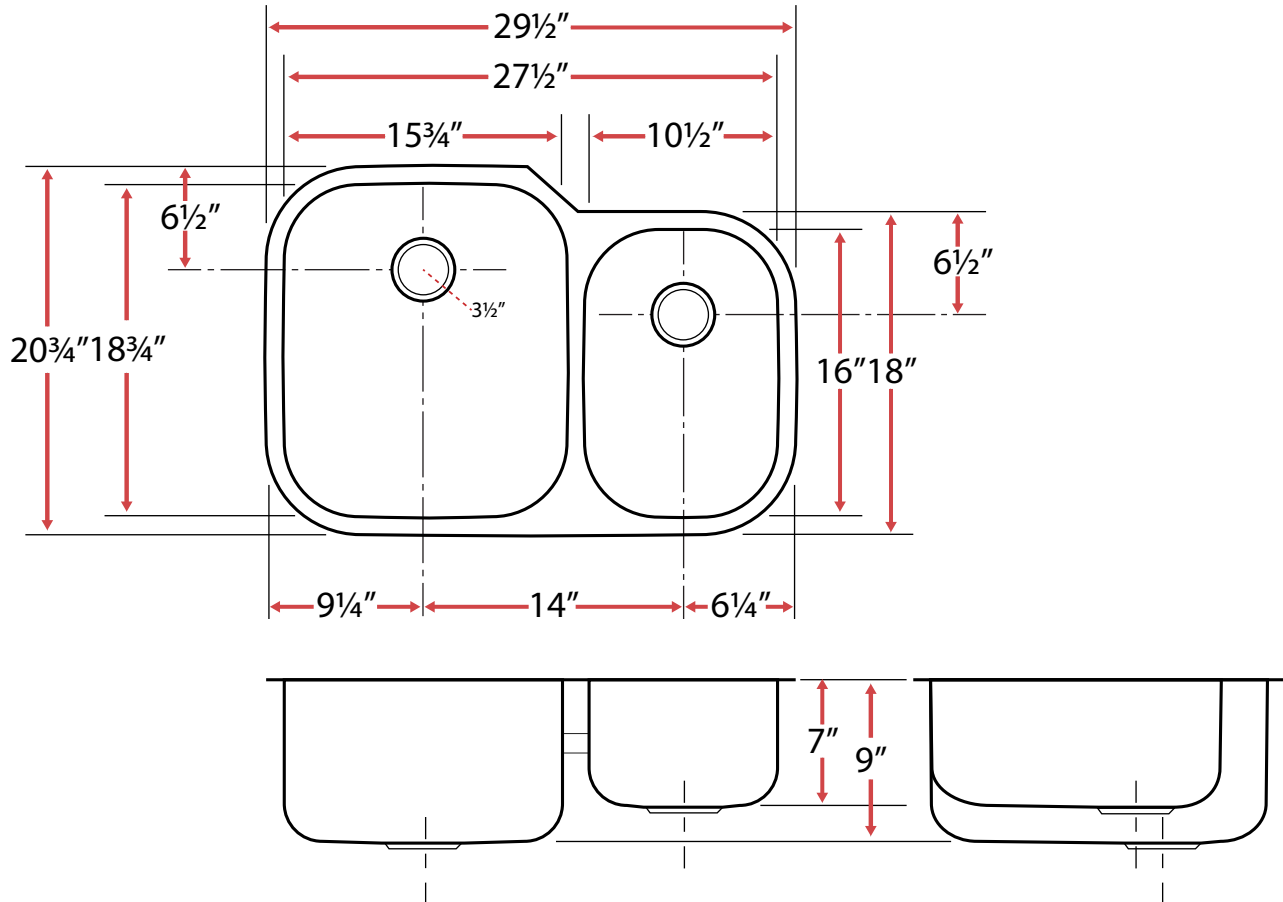
ASME A112.19.3/CSA B45.4



**L15**

**Foster Series**

Undermount Kitchen Sink



## Technical Information

- Sink Collection: **Foster Series**
- Sink Model Number: **L15**
- Corner Style: **Deep Drawn**
- Sink Length (inches): **29 1/2**
- Sink Width (inches): **20 3/4**
- Sink Basin Depth (inches): **9 (L), 7(R)**
- Drain Opening (inches): **3.5**
- Drain Position: **Rear**
- Bowl Configuration: **Double**
- Bowl Ratio: **60/40**
- Installation Type: **Undermount**
- Minimum Sink Base Cabinet Width Required: **30"**

*(Cabinet May Require Additional Modifications at Minimum Size. Consult an Installer for Confirmation)*

1-(503) 455-8336

Sink specifications may change without notice. Please visit [www.ticorsinks.com](http://www.ticorsinks.com) for the most current information. Updated 06/8/2018