

Features

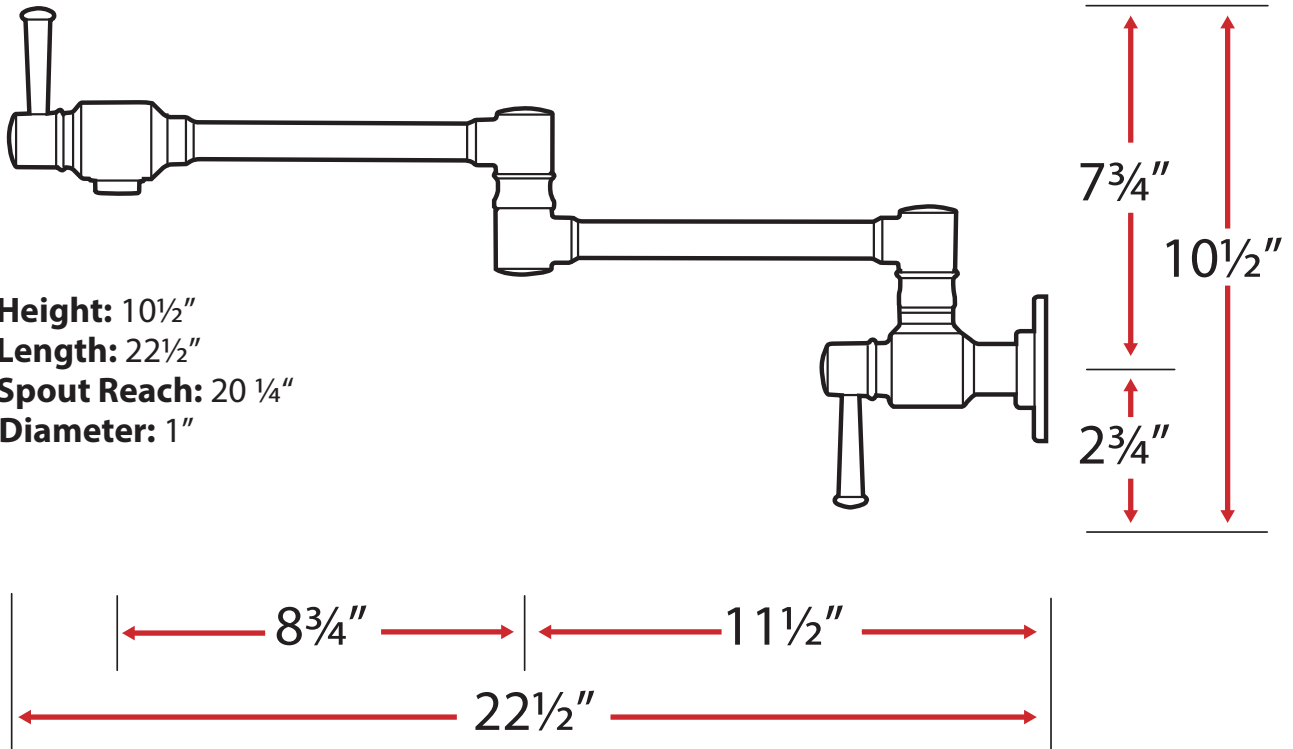
- 100% 304 Stainless Steel Construction
- Stainless Steel Brushed Finish
- Dual Lever Design, control water flow from nozzle or wall.
- Designed with 2 swivel joints for maximum maneuverability and reach.
- World-class Flühs cartridge, tested to 500,000 cycles
- Limited Lifetime Warranty

Codes/Standards

ASME A112.19.3/CSA B45.4

1-(503) 455-8336

Product specifications may change without notice. Please visit www.TicorSinks.com for the most current information. Updated 02/19/2019



Technical Information

- Faucet Collection: **Andorra Series**
- Faucet Model Number: **GF47-S**
- Faucet Length (inches): **22½**
- Faucet Height (inches): **10½**
- Faucet Pipe Diameter (inches): **¾**
- Compatible with **½" NPT cold water supply line.**
- Installation Type: **Wall Mount**
- Requires **1¼"** diameter wall hole opening.
- Installation onto a 2x4 backing is recommended.