



B2

Belfast Series
Undermount Vanity Sink

Features

- Classic Rectangular Design
- Overflow Drain
- Vitreous China
- No Faucet Holes
- Requires Wall or Counter-Mount Faucet
- Limited Lifetime Warranty
- Available in White or Almond color

Compatible Accessories

MIB-U Mounting and Installation Brackets
TB2 Sink Cut-Out Template
Installation Instructions



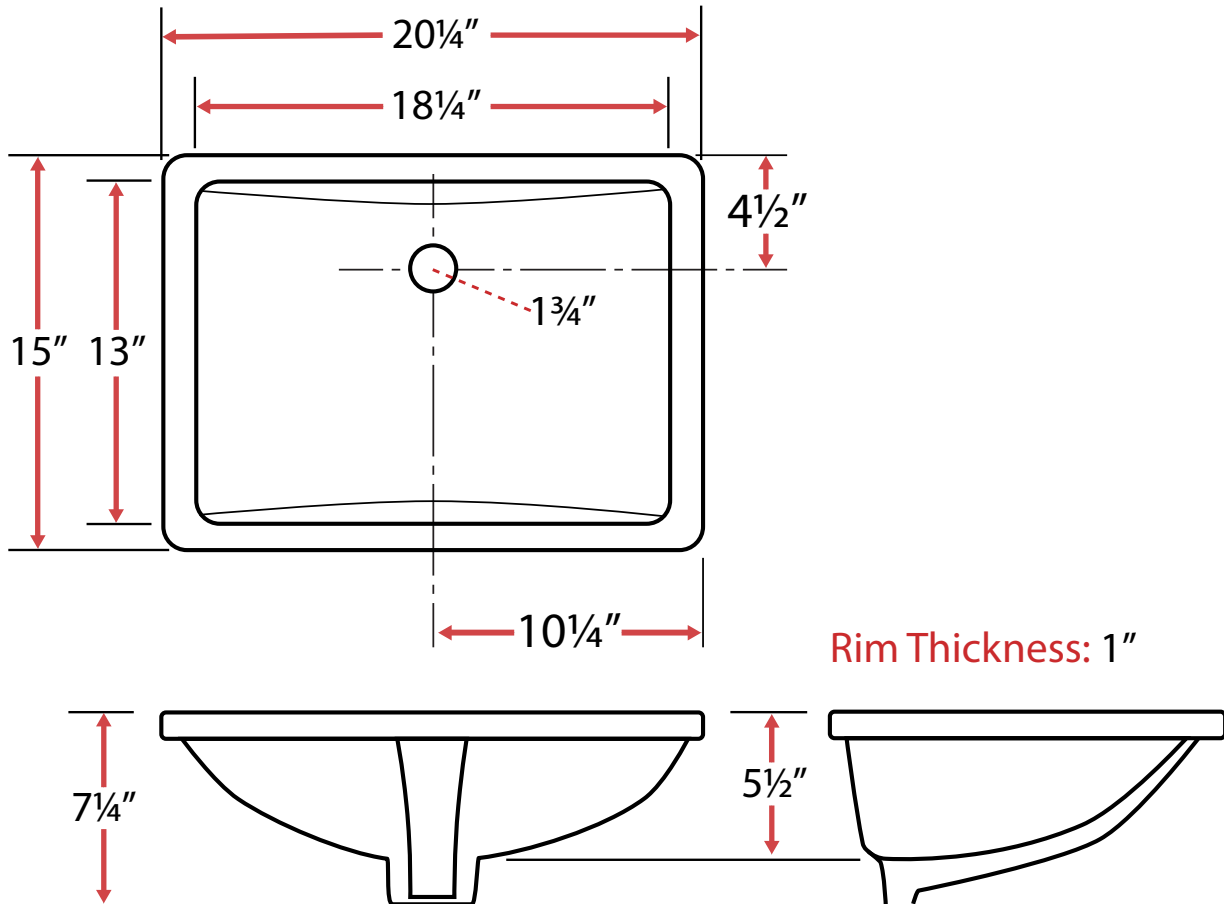
Codes/Standards

ASME A112.19.3/CSA B45.4

Ticor®

B2

Belfast Series
Undermount Vanity Sink



Technical Information

- Sink Collection: **Belfast Series**
 - Sink Model Number: **B2**
 - Sink Length (inches): **20 1/4**
 - Sink Width (inches): **15**
 - Sink Basin Depth (inches): **5 1/2**
 - Drain Opening (inches): **1 3/4**
 - Drain Position: **Rear**
 - Bowl Configuration: **Single**
 - Installation Type: **Undermount**
 - Minimum Sink Base Cabinet Width Required: **24"**
- (Cabinet May Require Additional Modifications at Minimum Size. Consult an Installer for Confirmation)*

1-(503) 455-8336

Sink specifications may change without notice. Please visit www.ticorsinks.com for the most current information. Updated 03/21/2018